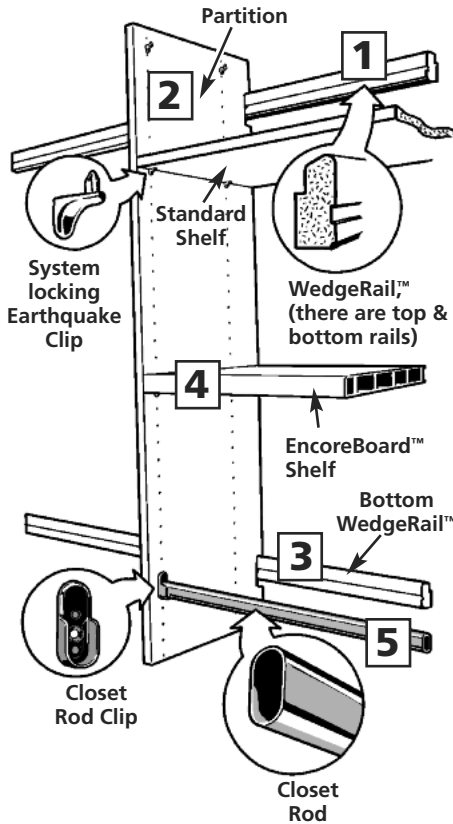


Closet Installation

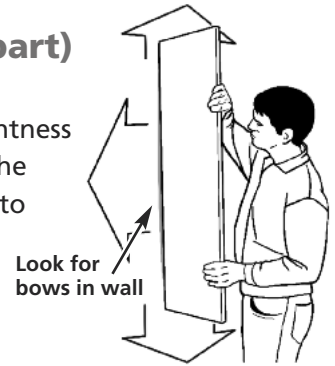
Components



PREPARING THE WALL (the hard part)

A. Check Wall Straightness:

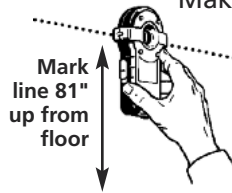
Check the wall in various places for vertical straightness with a straight edge or a partition (as shown). If the wall has more than an 1/8" of bow, you will need to shim the rail until straight.



B. Mark the Top Rail Location:

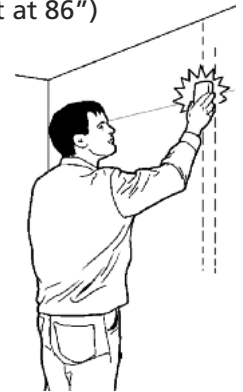
Make a level line 81" up from the floor.

This will mark the bottom of the top rail.
(This will set the overall closet height at 86")



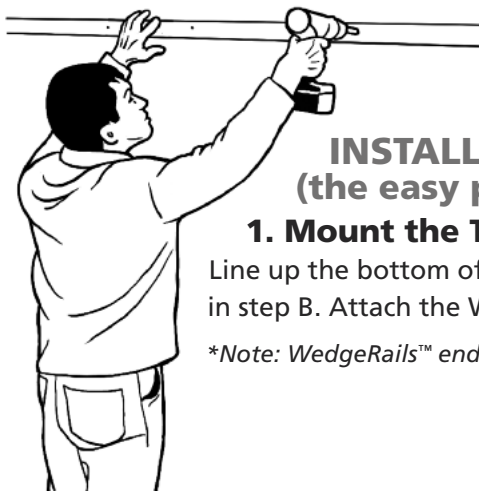
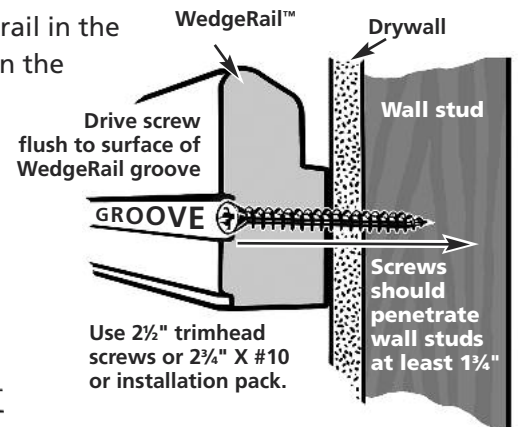
C. Locate the Stud:

Using a stud finder, mark the wall stud locations above the line you marked in step B. Verify stud location by drilling through surface to test for a stud underneath.



D. Transfer the Marks to the WedgeRail™:

Cut WedgeRail™ to the length of the closet minus 1/8". Mark corresponding stud locations onto rail in the center of groove. Drill a 1/8" pilot hole on the mark. Do not use sheet rock screws. Drive screws flush to (or slightly recessed from) the surface of the WedgeRail™ groove.



INSTALLING THE CLOSET (the easy part)

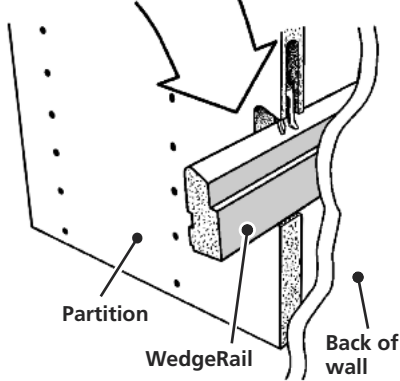
1. Mount the Top Rail to the Wall:

Line up the bottom of the WedgeRail™ to the line drawn in step B. Attach the WedgeRail™ to the wall with screws.

**Note: WedgeRails™ end joints may be joined on studs.*

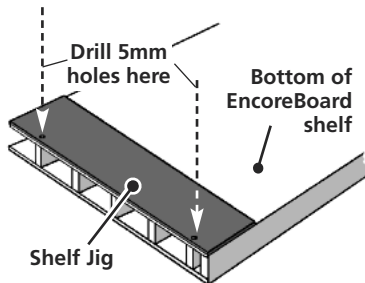
Hanging the partitions:

Pronged hook on Partition allows it to slide in place over WedgeRail



Adding mounting holes to EncoreBoard

All EncoreBoard shelves come with pre-drilled shelf-clip holes. If you cut your shelf to a custom size, you will need to create a new set of holes:

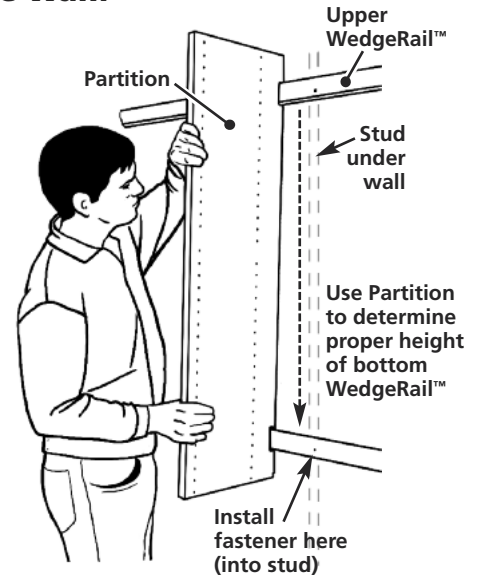


EncoreBoard shelf span limitations:

- 6' Encoreboard standard shelves are designed to support light clothes loading only.
- The maximum EncoreBoard shelf span to support books or pantry items should not exceed 56" in length.
- 4' shelves are designed to carry up to 100lb. total load.
- Encoreboard may be strengthened by adding additional internal reinforcement to the interior of panel by attaching wood to the sides of the ribs supporting the shelf. The amount of wood added depends on the load to be carried.

2. Mount the Bottom Rail to the Wall:

Hang two partitions on the top WedgeRail™. Use the bottom notch on the partitions to locate the correct position for the bottom WedgeRail™, and fasten bottom WedgeRail™ to wall. Note: move one partition next to each stud location and fasten with screw to ensure correct rail spacing along entire wall.

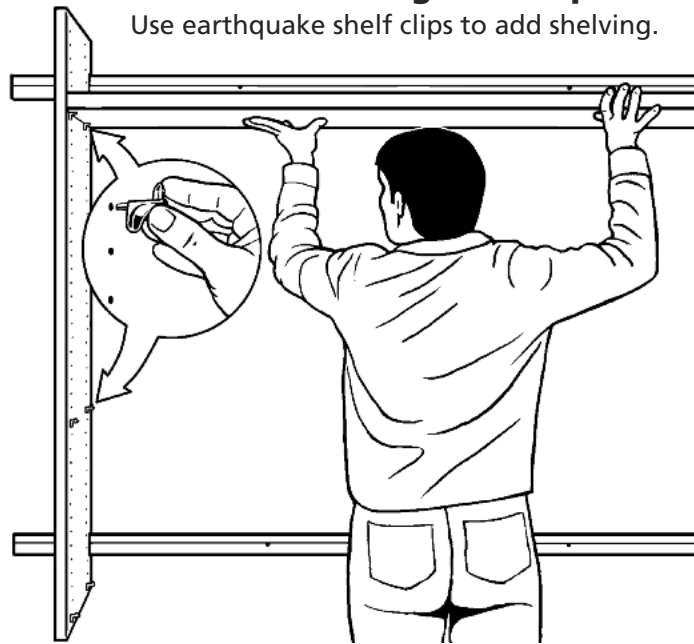


3. Hang the Partitions

Re-hang or move partitions to desired position for shelves making sure they hook on both top and bottom WedgeRails™ correctly.

4. Add Shelving with Clips:

Use earthquake shelf clips to add shelving.

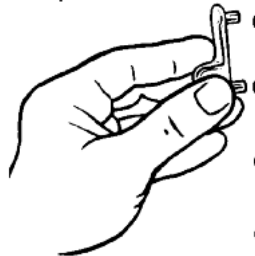


5. Add Closet Rods with Closet Rod Connectors:

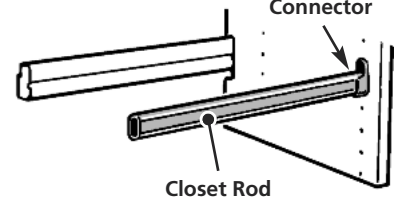
Closet Rod Connector



Mount Closet Rod Connectors to partitions



Closet Rod Connector



Note: If the Closet Rod spans a distance longer than 48", use a Closet Rod Reinforcement Bar.