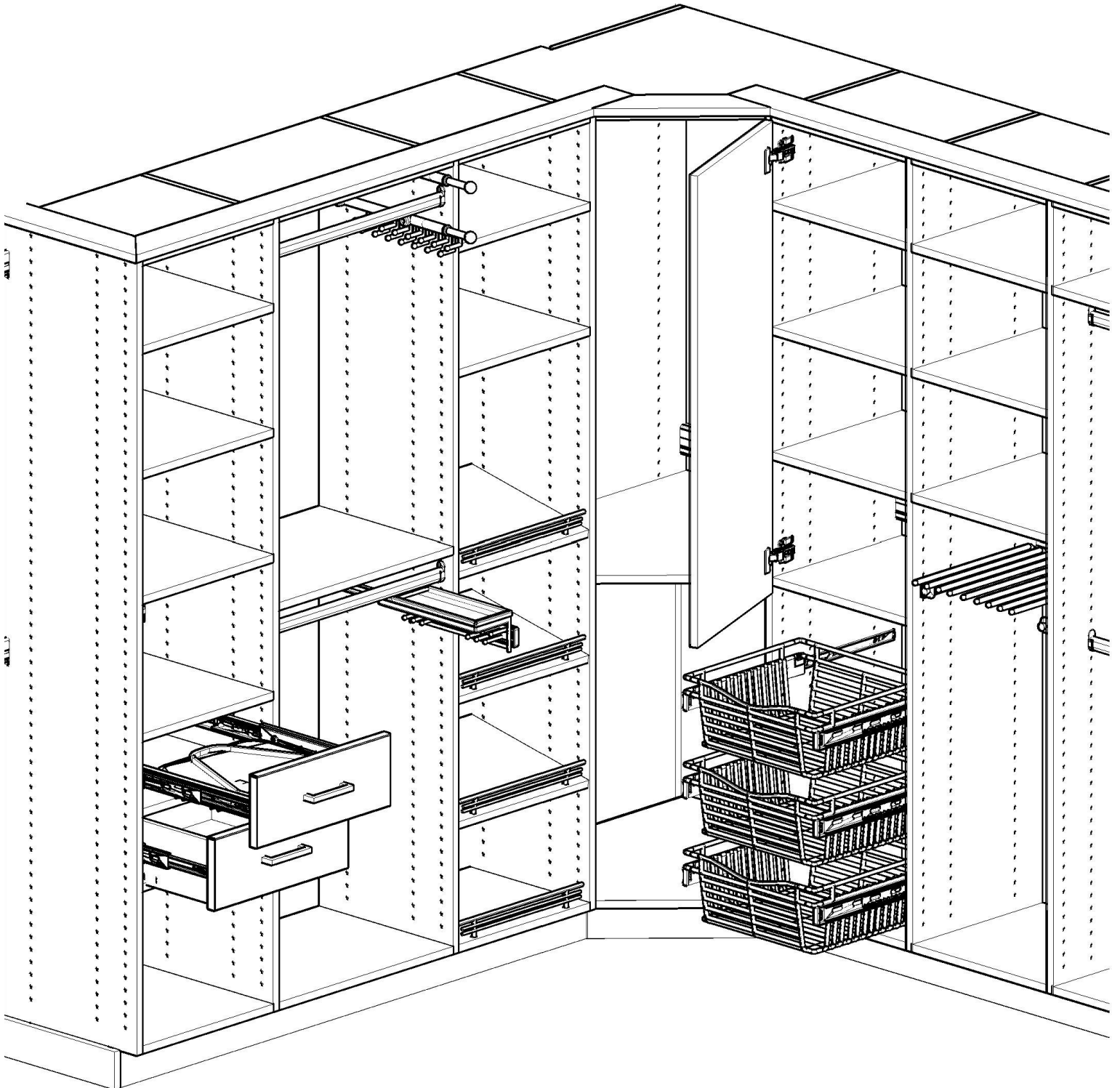


INSTALLATION GUIDE
LIFESPAN
closets™
organize your lifeSM



CONTENTS

** It is recommended to put Unit together in the order listed below for best results. Not all Units have all items listed below.*

3. Your Design
4. Recommended Tools
5. Hardware
6. Preparing Your Wall
7. Wedgerail
8. Partitions
9. Back Panels
10. Wedgerail Covers
11. F-Rail & Shelves
12. Bridge Shelves & H-Rail
13. Shoe Shelves & Hanging Rods
14. Drawer Assembly and Installation
15. Drawer Assembly and Installation Continued
16. Baskets
17. Pants Rack
18. Ironing Board
19. Accessories
20. Doors
21. Corner Units
22. Braces
23. Bottom Shelves & Partition Feet
24. Toe-Kick
25. Toe-Kick Continued
26. Top Molding
27. Trouble Shooting
28. Warranty

For a video on Installation



Use this QR code.

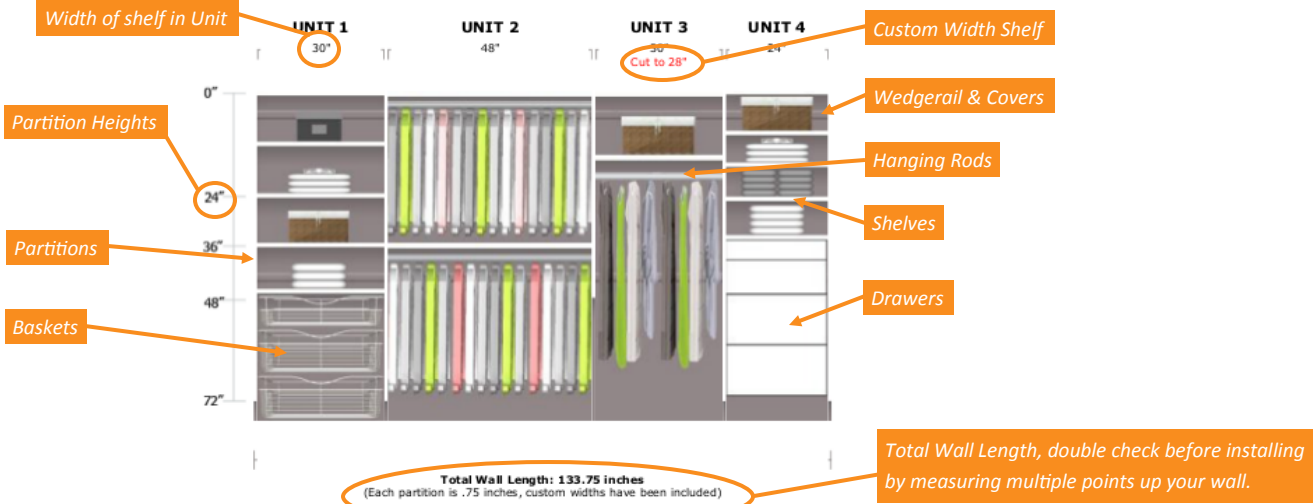
YOUR DESIGN

A copy of your design was sent with your order. Please go over the design and take inventory to make sure everything is right before starting installation. Below is a sample design to help you understand your design better.

8/14/2018 Closet Designer

Welcome
Design name: **Untitled** Go Back to Design | Print Design Part List | Continue to order form

Review Design Part List



UNIT 1 Part List

QTY	PART	STOCK#	PRICE
2	Chrome Wire Drawer 30W x 14D x 11H	CB301411	111.10
1	Chrome Wire Drawer 30W x 14D x 7H	CB301407	50.75
5	White Melamine 14D x 30L Shelf	WM1430S	83.95
20	Nickel Earthquake ECLIP 5mm shelf support	EQ	4.80
2	Wedgerail Cover 30L	WRWC30	2.84

UNIT 2 Part List

QTY	PART	STOCK#	PRICE
2	Oval Closet Rod to fit 48 shelf	ORC48	15.98
2	White Melamine 14D x 48L Shelf with F Support	WM1448SF	94.48
4	Chrome Closet Rod End/Oval	ORE	6.00
8	Nickel Earthquake ECLIP 5mm shelf support	EQ	1.92
2	Wedgerail Cover 48L	WRWC48	4.54

UNIT 3 Part List

QTY	PART	STOCK#	PRICE
1	Oval Closet Rod to fit 30 shelf	ORC30	5.62
2	White Melamine 14D x 30L Shelf	WM1430S	33.58
2	Chrome Closet Rod End/Oval	ORE	3.00
8	Nickel Earthquake ECLIP 5mm shelf support	EQ	1.92
2	Wedgerail Cover 30L	WRWC30	2.84

UNIT 4 Part List

QTY	PART	STOCK#	PRICE
2	White Melamine 24W x 13D x 12H Drawer Box	WDB241412	165.96
2	White Melamine 24W x 12H Drawer Face	WM2412F	50.10
1	White Melamine 24W x 13D x 8H Drawer Box	WDB241408	81.00
1	White Melamine 24W x 8H Drawer Face	WM2408F	20.97
1	White Melamine 24W x 13D x 4H Drawer Box	WDB241404	76.23
1	White Melamine 24W x 4H Drawer Face	WM2404F	17.94
5	White Melamine 14D x 24L Shelf	WM1424S	60.95
20	Nickel Earthquake ECLIP 5mm shelf support	EQ	4.80
1	Wedgerail Cover 24L	WRWC24	1.13

Partitions Part List

QTY	PART	STOCK#	PRICE
1	White Melamine 14D x 72H Partition	WM1472P	43.99
1	White Melamine 14D x 72H Partition	WM1472P	43.99
1	White Melamine 14D x 48H Partition	WM1448P	27.99
1	White Melamine 14D x 72H Partition	WM1472P	43.99
1	White Melamine 14D x 72H Partition	WM1472P	43.99

We recommend checking inventory before installation.

<https://www.lifespanclosets.com/design-it/>

1/2

Instructions are for informational purposes only. It is your responsibility to ensure proper installation.

RECOMMENDED TOOLS



Pencil



Tape Measure



Power Drill



Level



Hand Saw



Phillips Screwdriver



Drill Bits



Stud Finder

*See Trouble Shooting page for detail on how to choose your screws.



Screws

HARDWARE

 **WARNING:**
CHOKING HAZARD and
Be Careful of **SHARP EDGES**
Not for children under 3 years.



Baseboard Clip



Partition Foot



EQ Clip



Wedgerail Clip



Soft Close Drawer Slides



Standard Drawer Slides



Brace RTA 19MM Outrigger



RTA Screw-in Dowel



Drawer Handle

Oval Closet Rod



Oval Rod Mounting Bracket



Inserta Plate

110° Soft Close Hinge

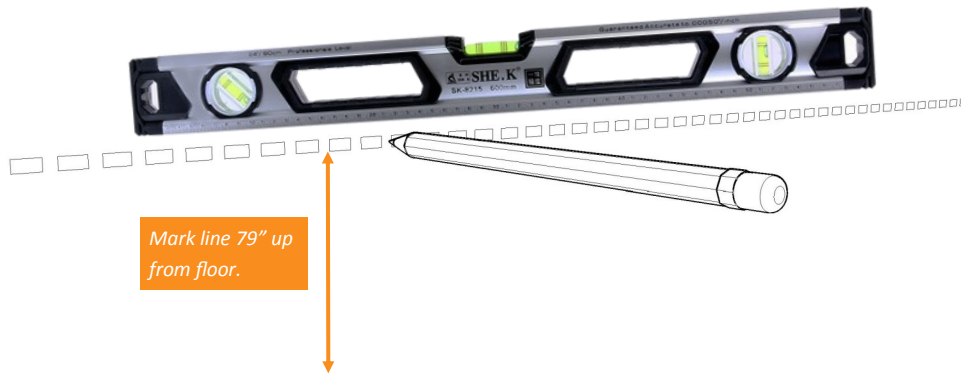
PREPARING YOUR WALL

1. CHECK WALL STRAIGHTNESS:

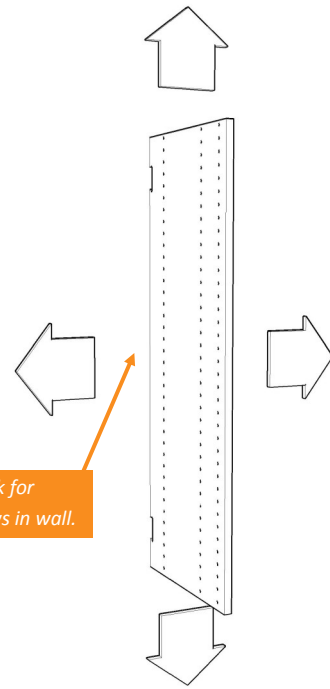
Check the wall in various places for vertical straightness with a straight edge or a partition (as shown). If the wall has more than an 1/8" of bow, you will need to shim the wedgerail until straight.

2. MARK THE TOP RAIL LOCATION:

Using a Level, mark a level line 79" up from the floor. This will mark the bottom of the top rail. (This will set the overall closet height at 84")



Look for bows in wall.



3. LOCATE THE STUDS:

Using a stud finder, mark the wall center of stud locations above the line you marked in step 2. Verify stud location by drilling through surface to test for a stud underneath.

Stud behind wall

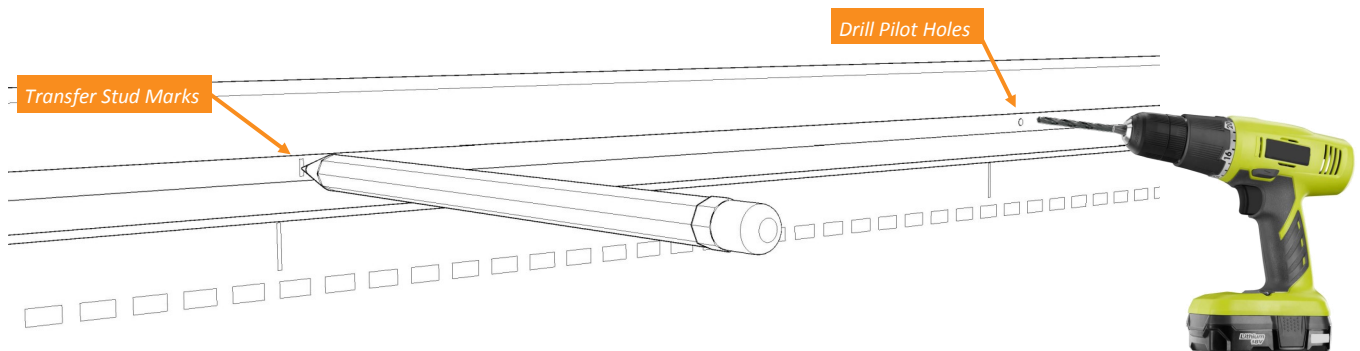
Center of Stud

Wedgerail line



4. TRANSFER THE MARKS TO BOTH WEDGERAIL:

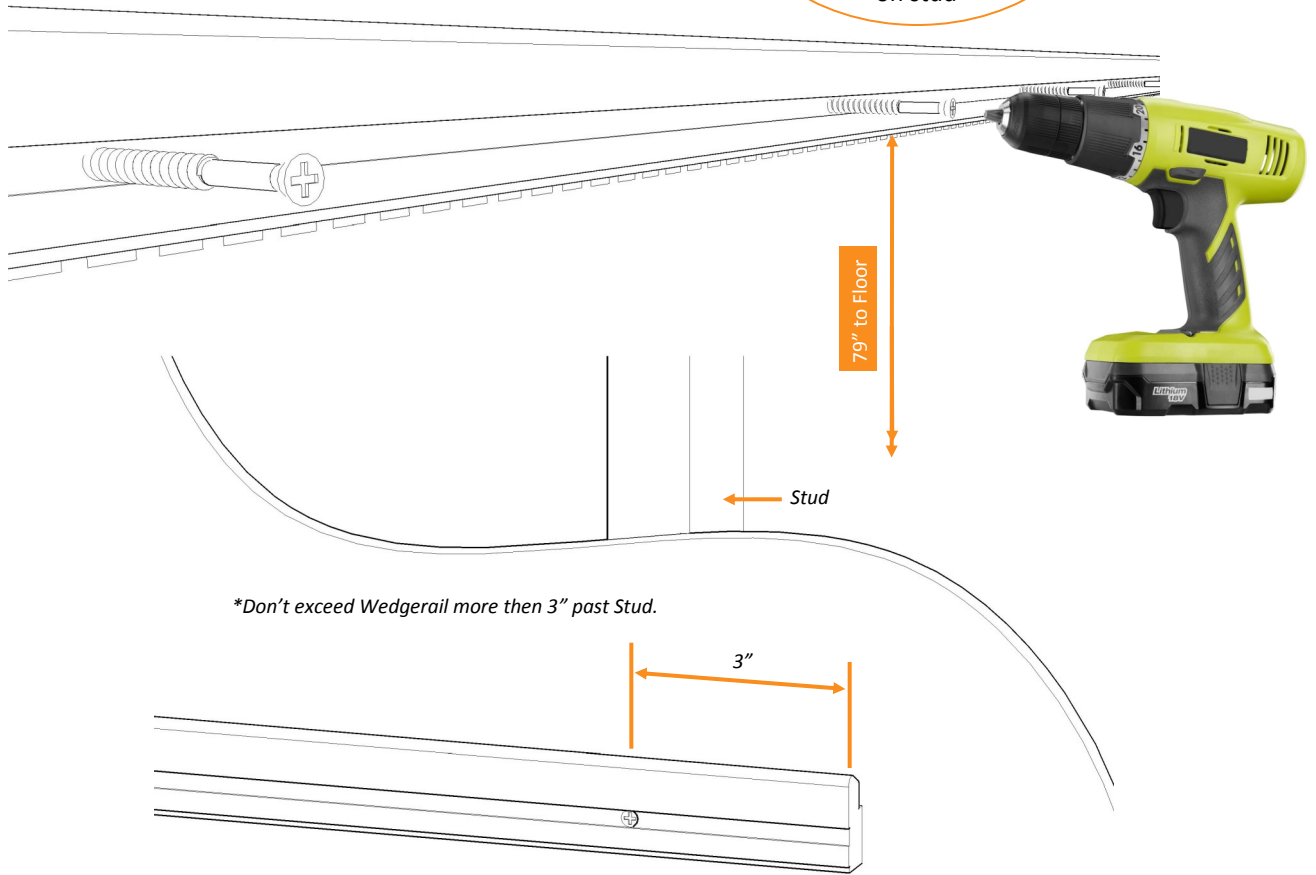
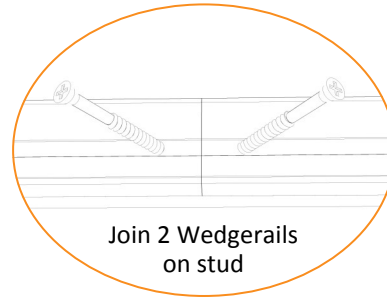
Cut Wedgerail to the length of the closet. Mark corresponding stud locations onto rail in the center of groove. Drill a 1/8" pilot hole on the mark. Do the same with bottom wedgerail.



WEDGERAIL

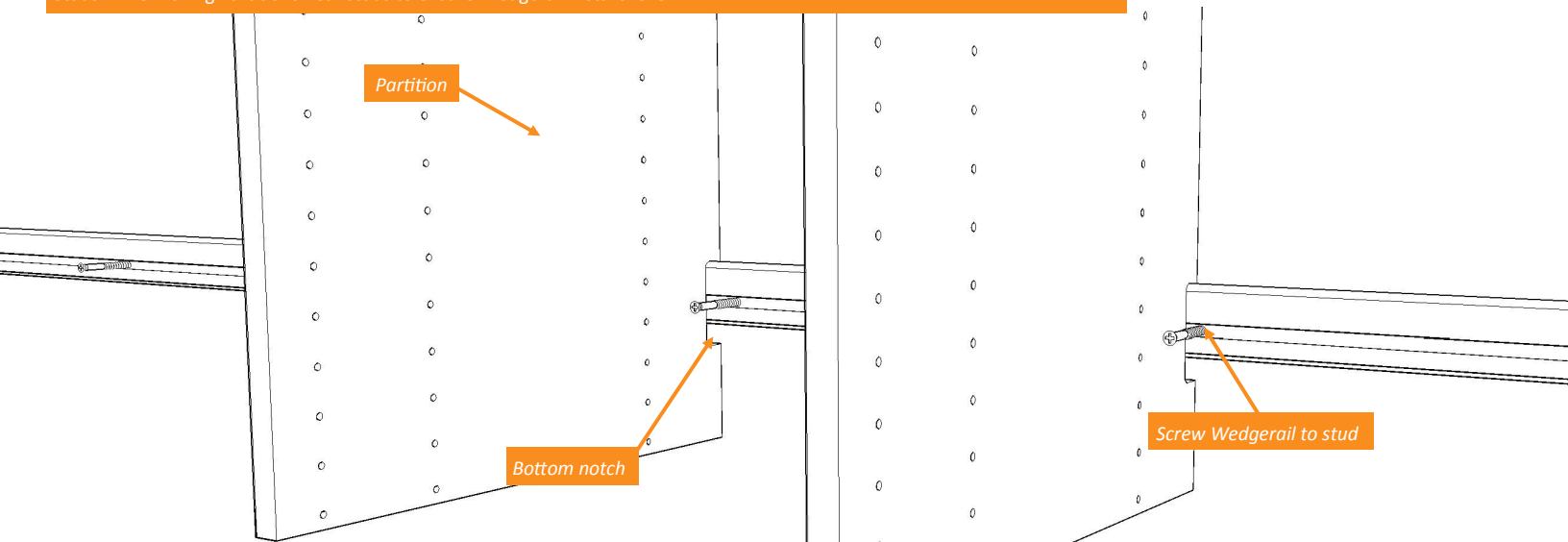
5. MOUNT THE TOP RAIL TO THE WALL:

Line up the bottom of the Wedgerail to the line drawn in step B on page 5. While using stud mark lines attach the Wedgerail to the wall with screws appropriate for your wall. (see trouble shooting page to determine screw for your wall.)



6. MOUNT THE BOTTOM RAIL TO THE WALL:

Mark Bottom Wedgerail where studs are just like on page 5, and drill pilot holes. Hang two Partitions, or our Install Jigs on the Top Wedgerail. Pull down tight. Push Bottom Wedgerail into bottom notches of Partitions firmly. Screw Bottom Wedgerail to Studs while moving Partitions near studs to ensure Wedgerail installs level.



PARTITIONS

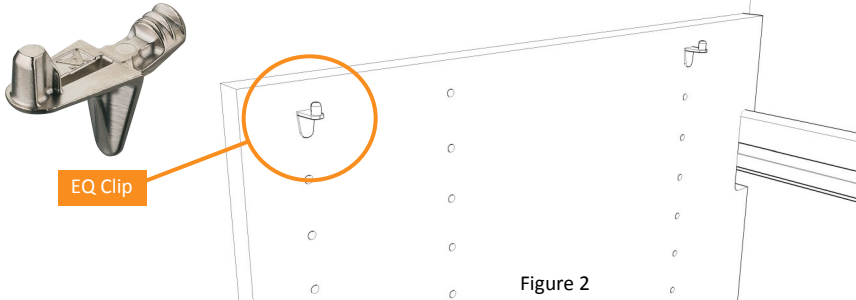
7. HANGING THE PARTITIONS:

7a. While looking at your plans, start on one end of your closet and place the first Partition next to the wall. Pull the Partition down tight to secure as shown in figure 1.

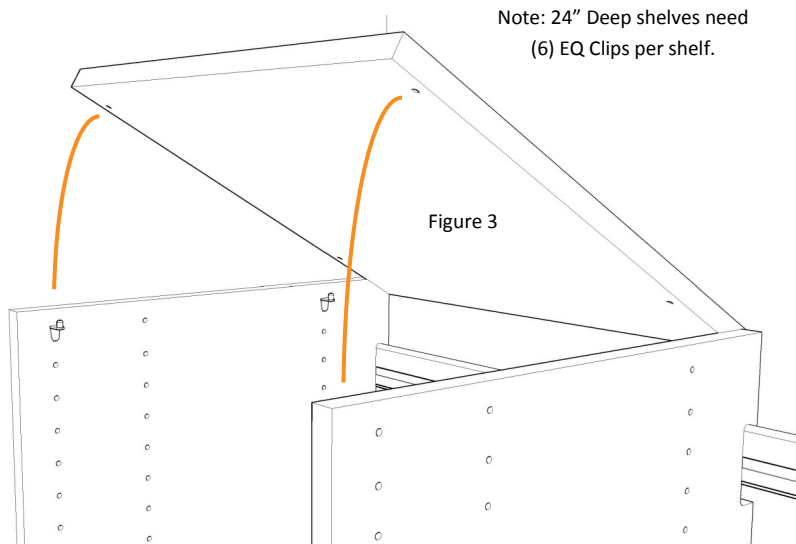
7b. With a tape measure and pencil mark on the wedgerail the location of the next partition (dimension of shelf) as show in figure 1. Attach next Partition and secure.

*Note: If you have Back Panels do step 8a and 8b first before continuing.

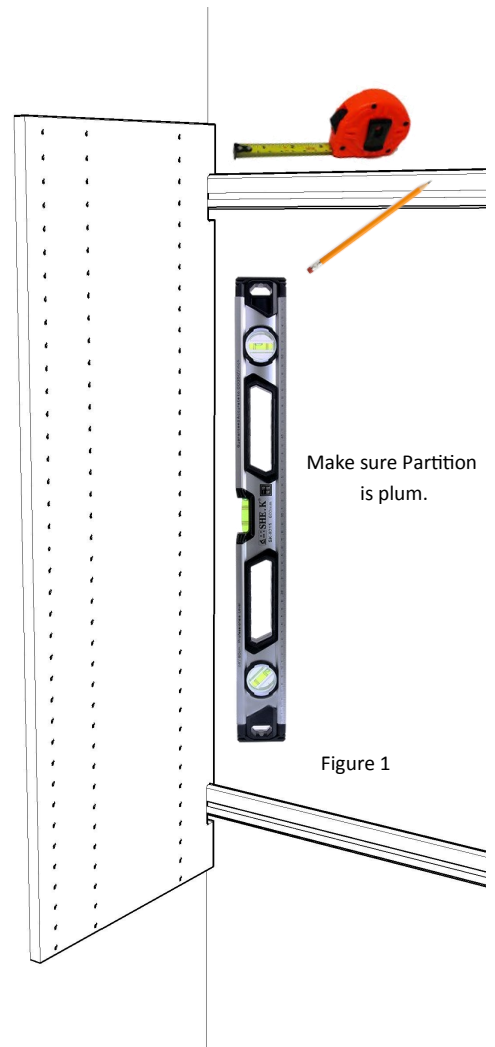
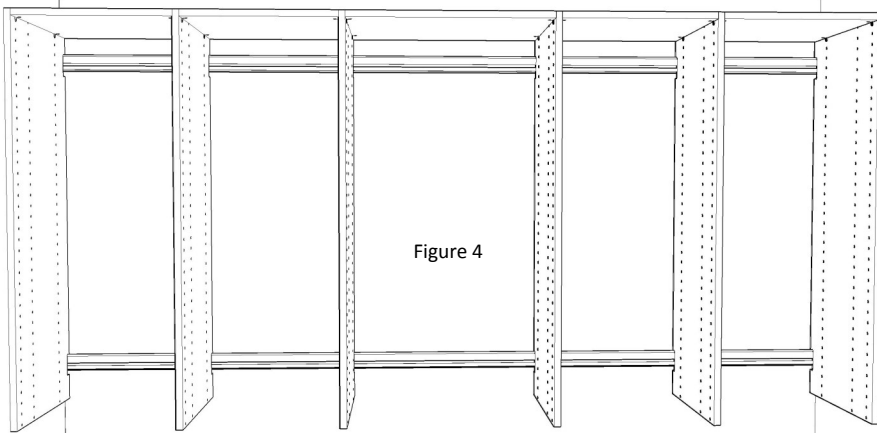
7c. Place (2) EQ clips in the top holes on each Partition as show in figure 2.



7d. Place the correct size shelf over the (4) EQ clips and pull down firmly as show in figure 3.



7e. Repeat steps 7b-7d for each Partition until all Partitions are in place as shown in figure 4.



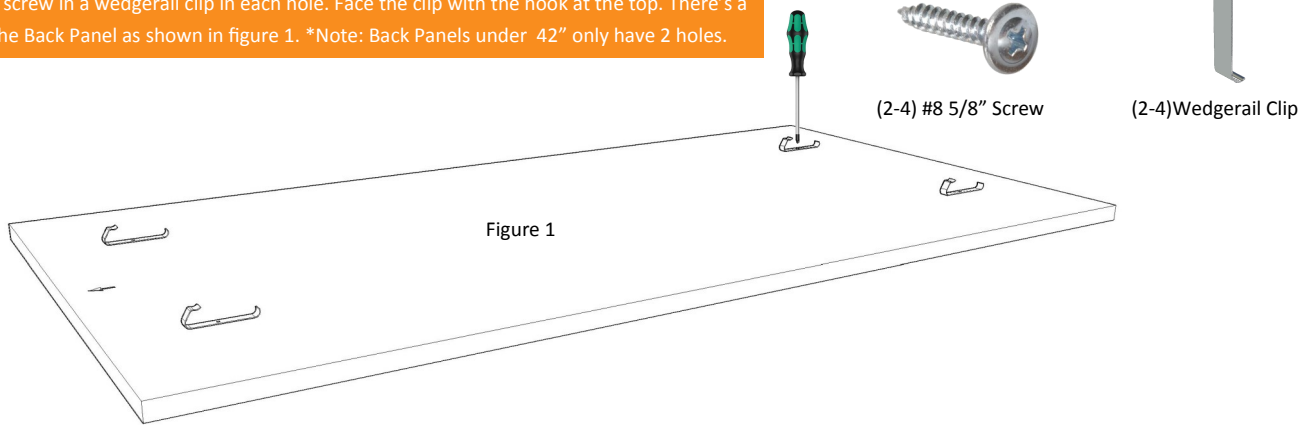
Note: With 84" & 96" Tall Partitions Braces, Bottom Shelves, Partition Feet*, and Toe-Kicks come with units. See pages 22,23,and 24 for instructions.

*Install Partition Feet before installing the Partition. Partition Feet come with 24" deep Partitions only.

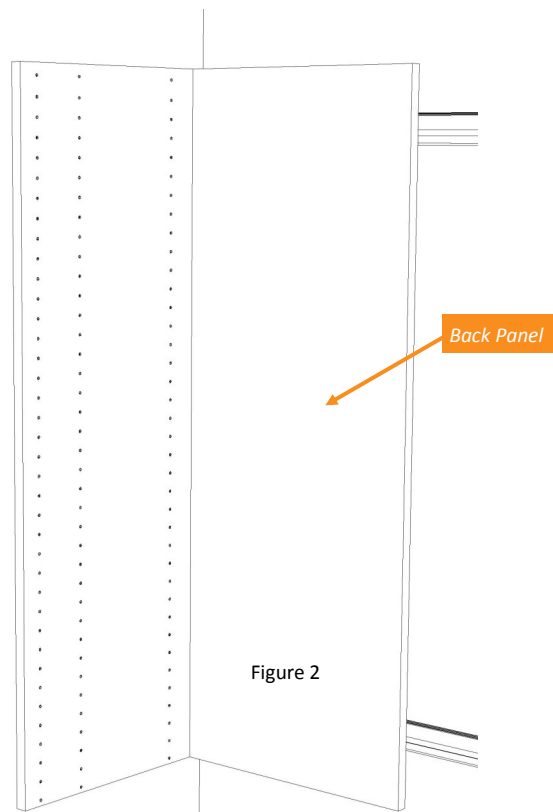
BACK PANELS

8. PREPARING BACK PANELS:

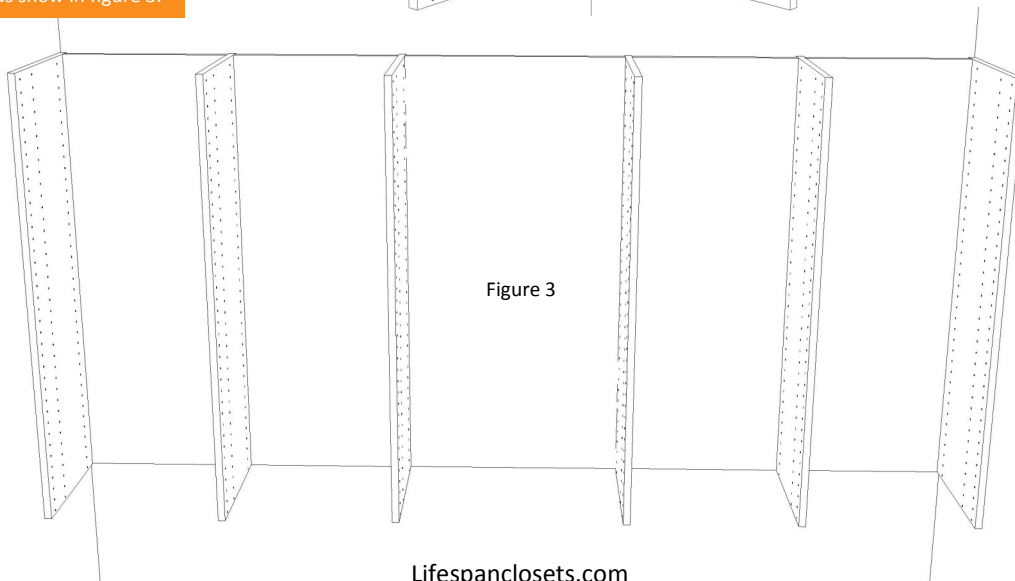
8a. Place your Back Panel on a flat surface with the side having holes facing up. Using a Phillips Screw Driver and #8 x 5/8" screw, screw in a wedgerail clip in each hole. Face the clip with the hook at the top. There's a arrow at the top of the Back Panel as shown in figure 1. *Note: Back Panels under 42" only have 2 holes.



8b. Hang Back Panel between Partitions on Wedgerails and pull down tight securing Back Panel in place as shown in figure 2.



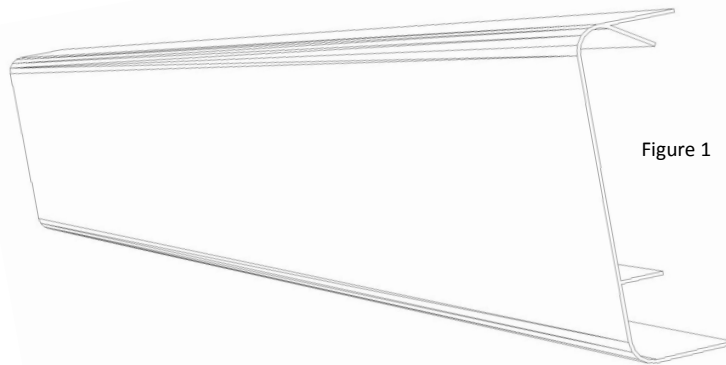
8c. Repeat steps 8a-8b for each Back Panel until all Back Panels are in place as show in figure 3.



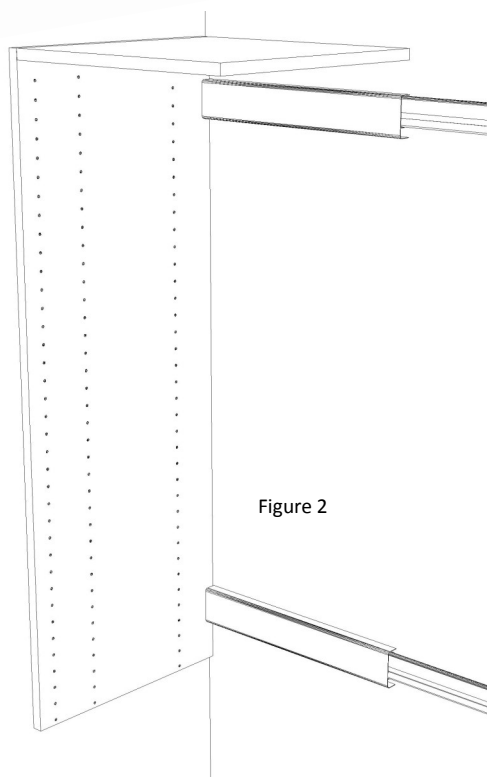
WEDGERAIL COVERS

9. ATTACH WEDGERAIL COVERS:

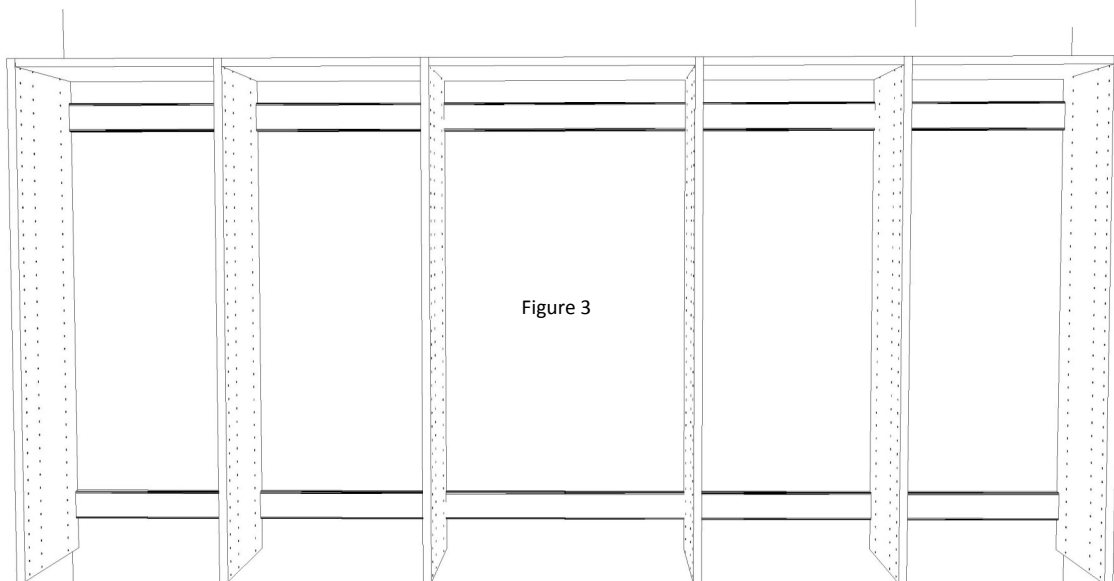
9a. Wedgerail Covers fit in between each Partition and look as shown in figure 1.



9b. Attach the Wedgerail Cover over the Wedgerail with the hook at the top as shown in figure 2. No screws or fasteners are needed.



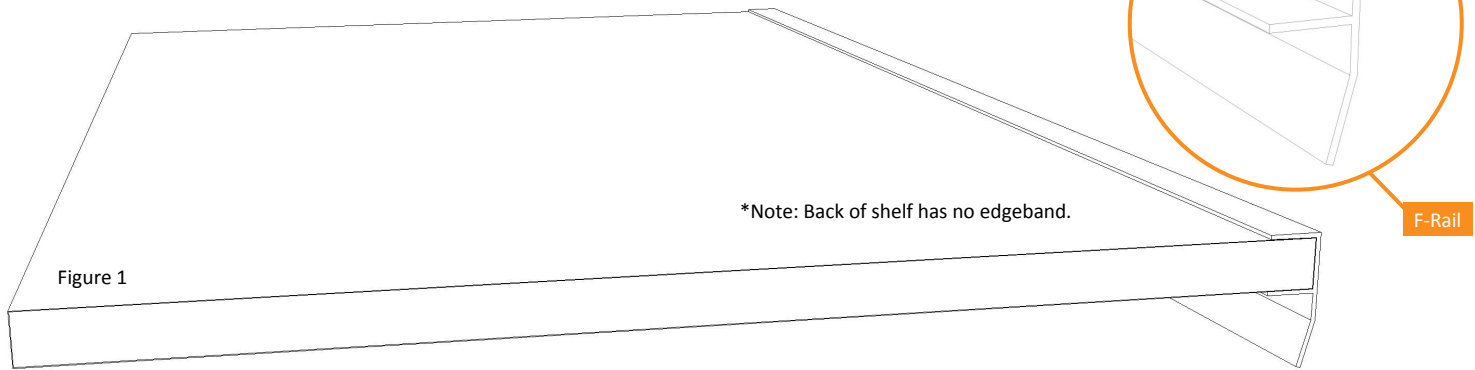
9c. Repeat step 9b until all wedgerail covers are attached as shown in figure 3.



F-RAIL & SHELVES

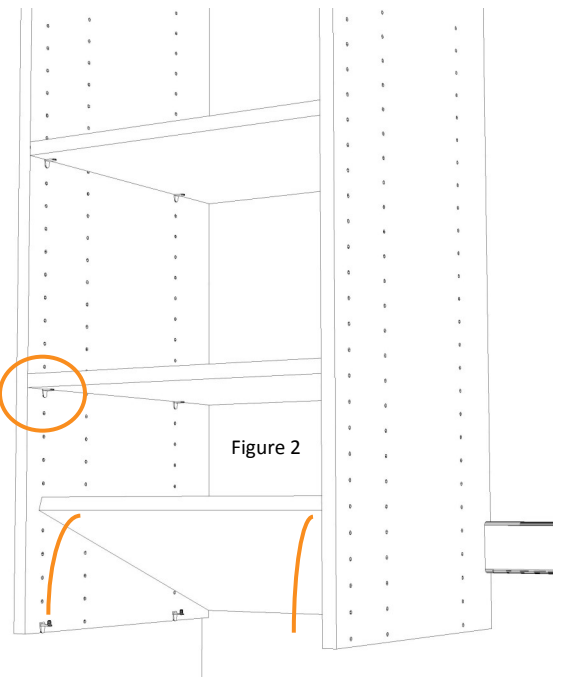
10. ATTACHING F-RAIL TO SHELF:

10a. Shelf over 30" comes with a F-Rail for support. Attach to the back with a rubber hammer as shown in figure 1.

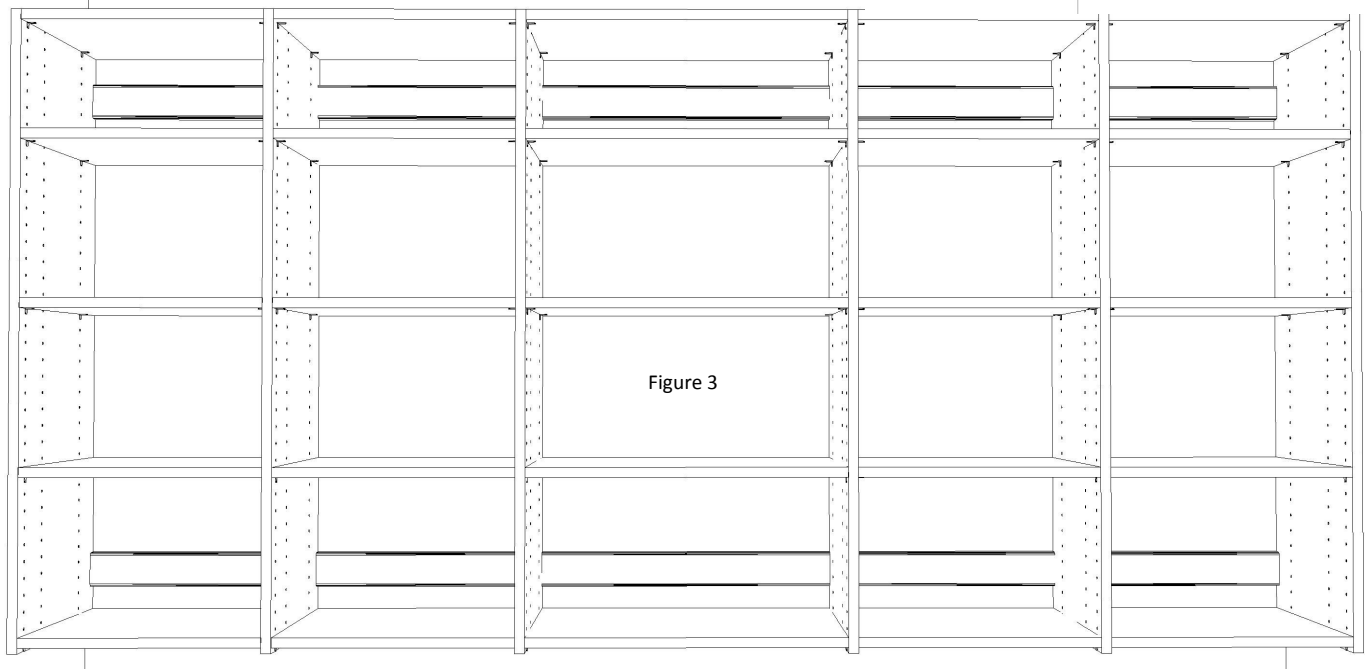


11. CONTINUE INSTALLING ALL SHELVES:

11a. Referring to your plans attach all shelves for this section just like the top shelf on 7c & 7d as shown in figure 2.



11b. Repeat for each section till all shelves are in unit as shown in figure 3.



BRIDGE SHELVES & H-RAIL

12. BRIDGE SHELF AND H-RAIL:

12a. Referring to your plans attach (2) EQ Clips on the partition adjacent to the adjoining shelf as shown in figure 1.

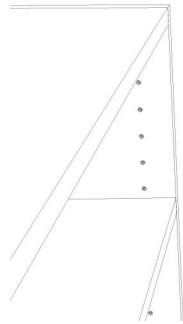
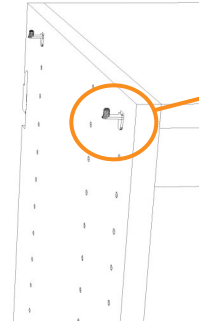


Figure 1



(2) EQ Clips per Bridge Shelf



12b. Place the H-Rail on the adjoining shelf as shown in figure 2.

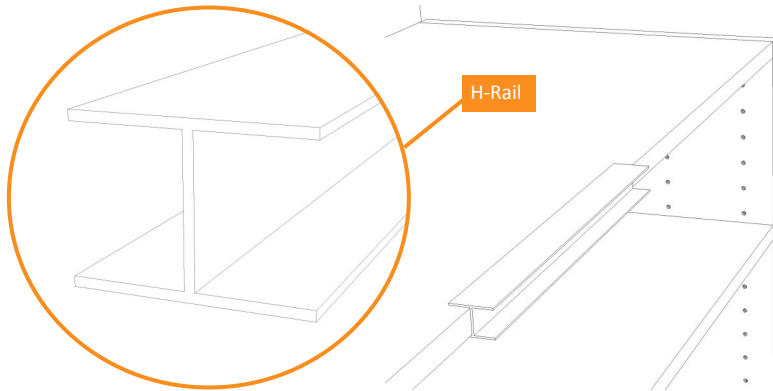
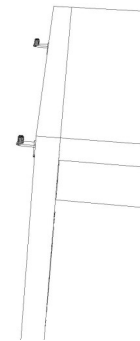


Figure 2



12c. Place the Bridge Shelf on the EQ Clips and slide over the H-Rail joining the two shelves into one "L" shelf as shown in figure 3.

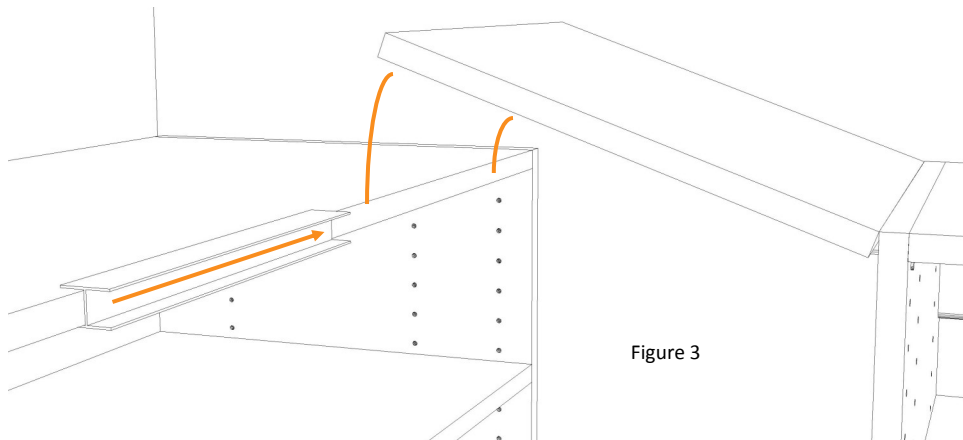


Figure 3

12d. Repeat steps 12a-12c for each Bridge shelf as shown in figure 4.

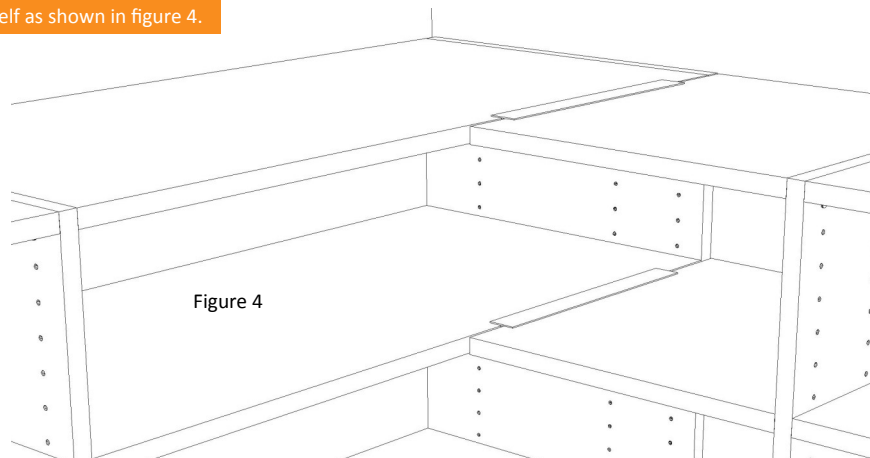
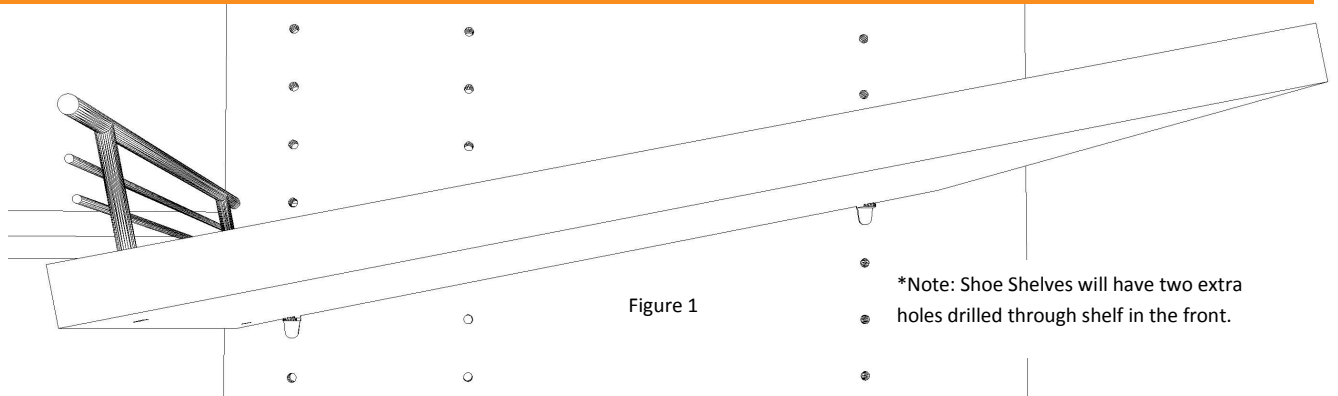


Figure 4

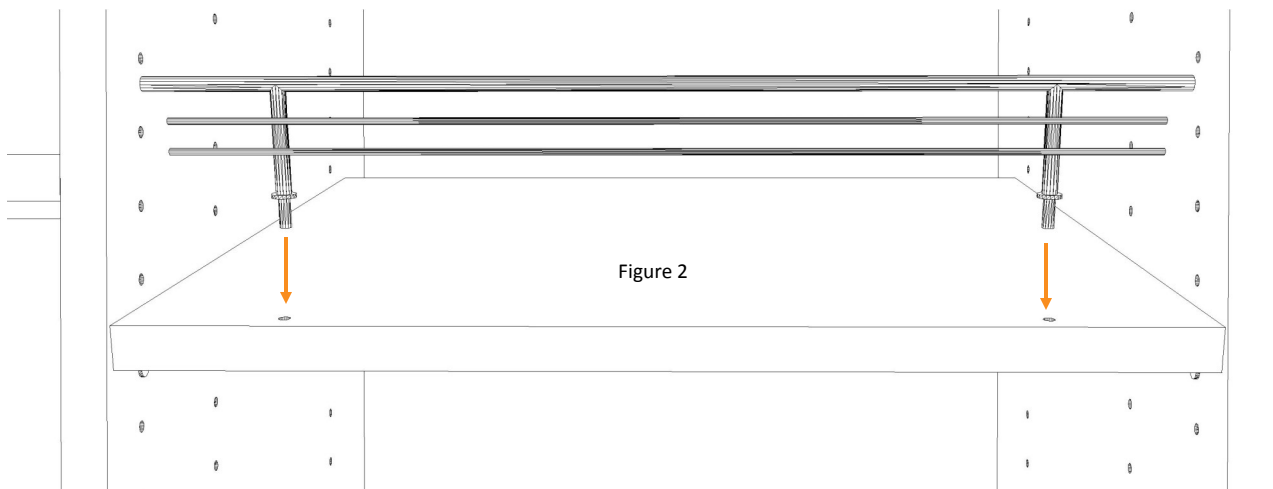
SHOE SHELVES & HANGING RODS

13. SHOE SHELVES:

13a Shoe Shelves install just like regular shelves. Shoe shelves can also be installed at an angle by lowering the front (2) EQ clips down two holes as shown in figure 1.

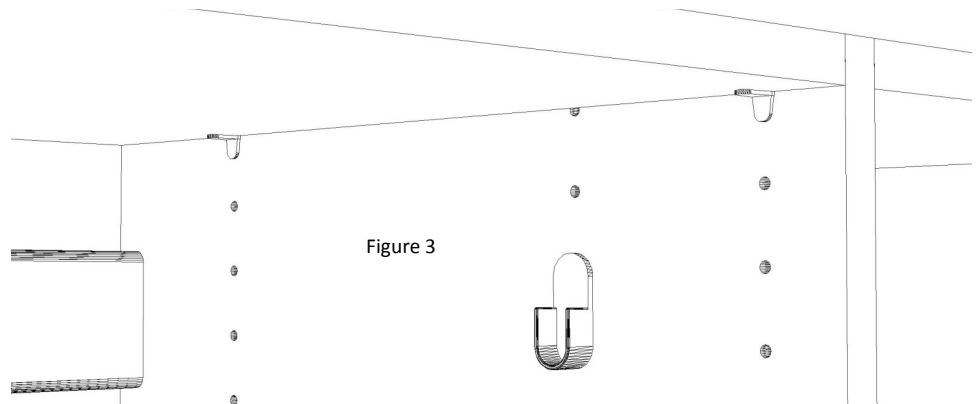


13b. Shoe Rails are sent not installed. To install shoe rails insert pegs into holes in the front of the shoe shelf pressing firmly as shown in figure 2.

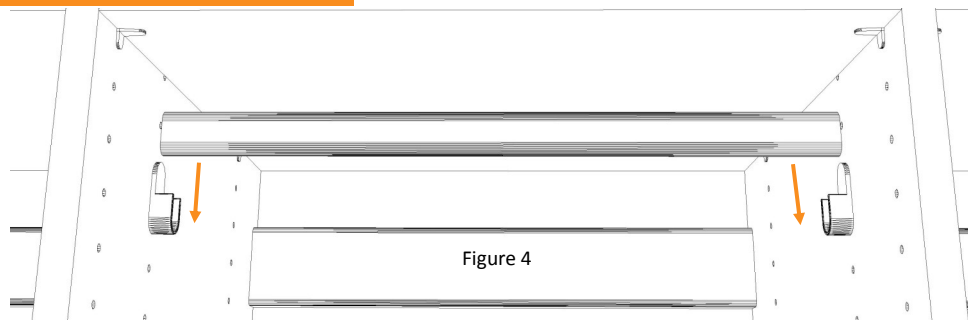


14. HANGING RODS:

14a. Hanging Rods have two parts the Rod and the Rod Ends. First install the Rod Ends into desired hole location as shown in figure 3.



14b. Install the Hanging Rod into the Rod Ends pressing firmly as shown in figure 4.

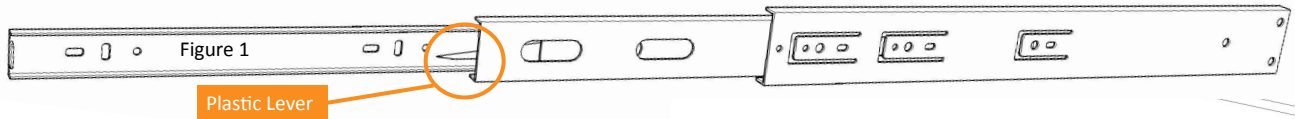


DRAWER ASSEMBLY & INSTALLATION

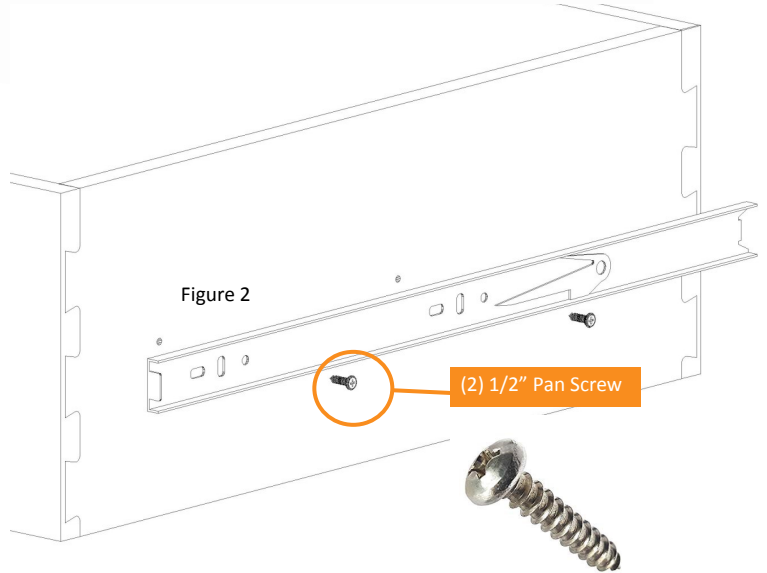
15. DRAWER SLIDES:

Locate drawer slides for your drawer. Slides are always 2" shorter than the drawer i.e. 18" deep drawer will have a 16" deep slide.

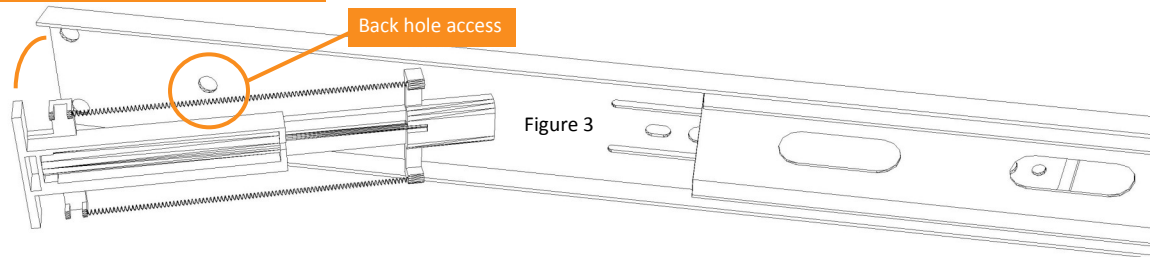
15a. Remove Ball Bearing Slides from unit, by extending them fully, depressing the plastic release lever, and pulling apart from the remainder of the slide assembly as shown in figure 1.



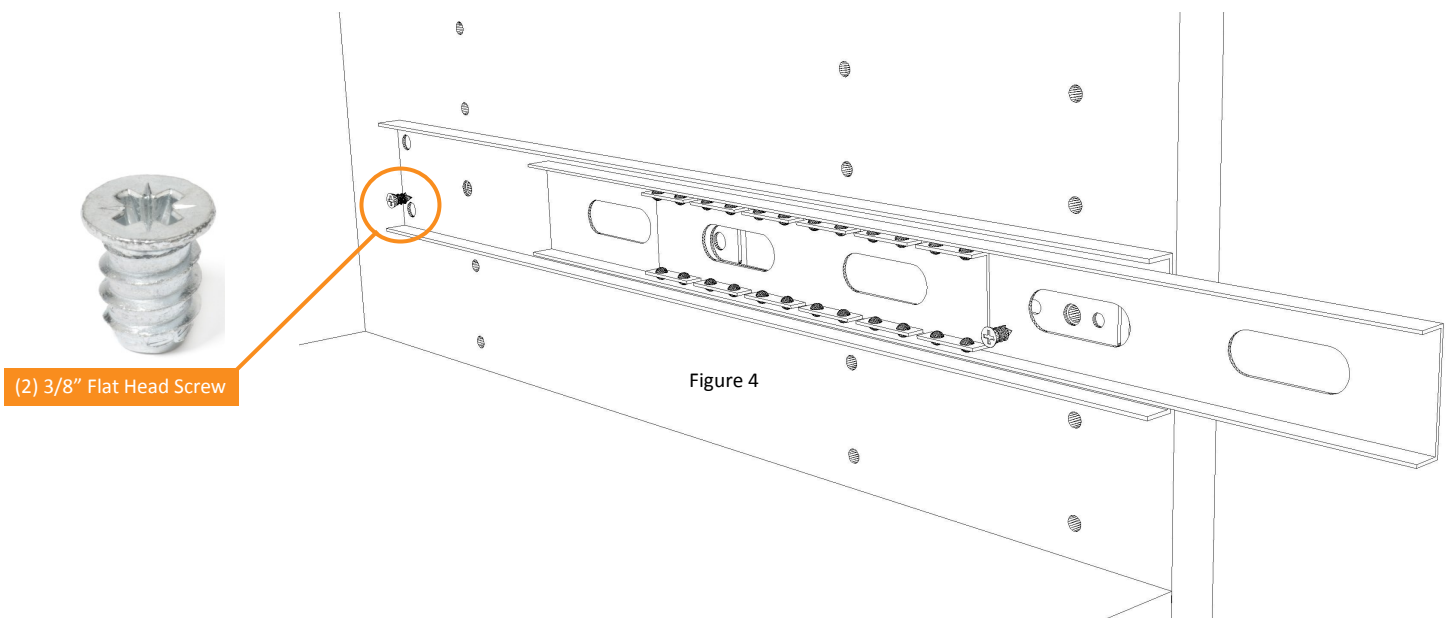
15b. Line up the smaller of the two parts with the holes on the side of the drawer as shown in figure 2. Correct placement should have the slide slightly recessed from the front of the drawer. Screw in place using (2) screws sent with the Drawer. Repeat other side of Drawer with other slide.



***This step is for Soft Close Slides only.** 15c. Prepare 2nd part of slide for installation on Partition. Remove the Plastic part at the back of slide using a flat tool like a flat head screw driver to have access to back hole as shown in figure 3. Do Step 15d. Then replace plastic part to back of slide.



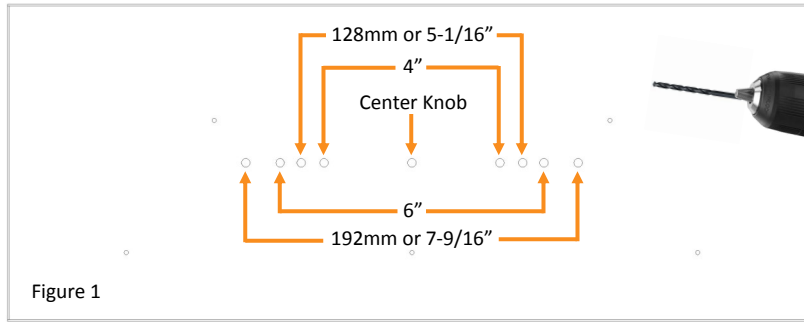
15d. Referring to your design select correct placement for 2nd part of Drawer slide on Partition. Screw in place using (2) screws sent with drawer as shown in figure 4. Repeat on adjacent Partition with other slide.



DRAWER ASSEMBLY & INSTALLATION

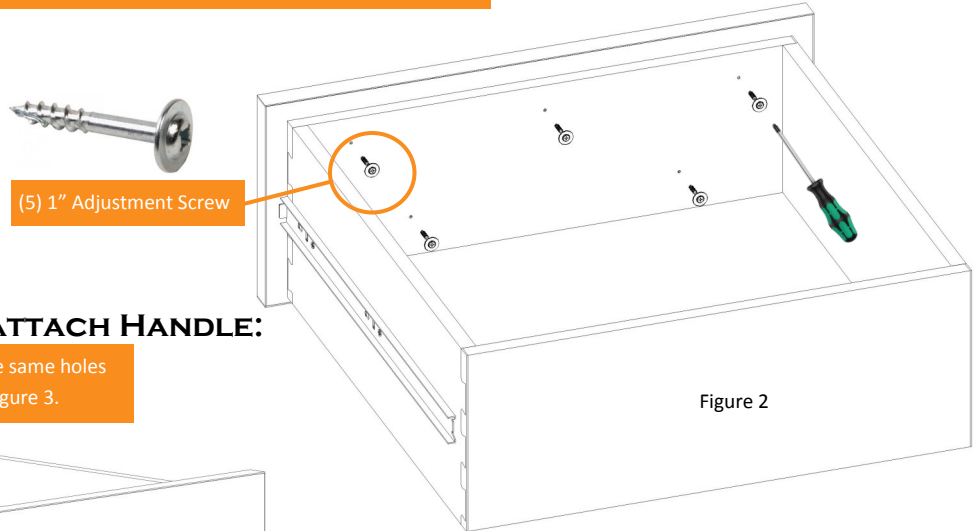
16. DRILL DRAWER FACE :

16a. Drawer faces have pilot holes for standard size Drawer Handles. Determine the correct pilot hole for your handle and **carefully** drill remaining material with a sharp 3/16" Drill Bit as shown in figure 1.



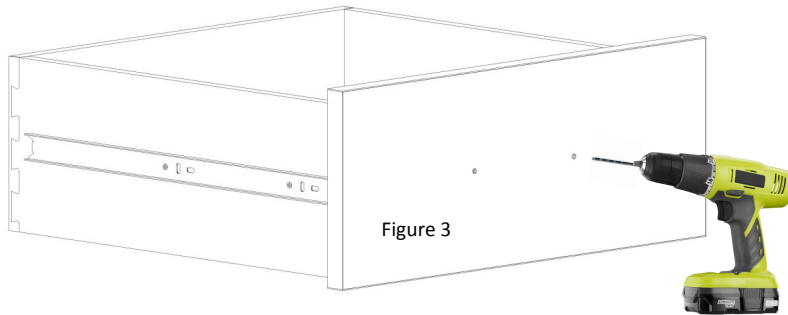
17. ATTACHING DRAWER FACE:

Using predrilled holes and screws sent with drawer box attach face to drawer with screwdriver as shown in figure 2.

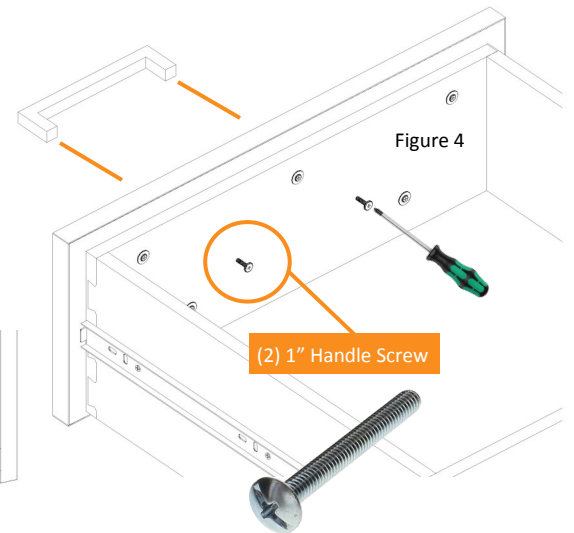


18. DRILL HANDLE HOLES AND ATTACH HANDLE:

18a. Using a sharp 3/16" drill bit, **carefully** drill through the same holes drilled in step 16 in face through drawer box as shown in figure 3.

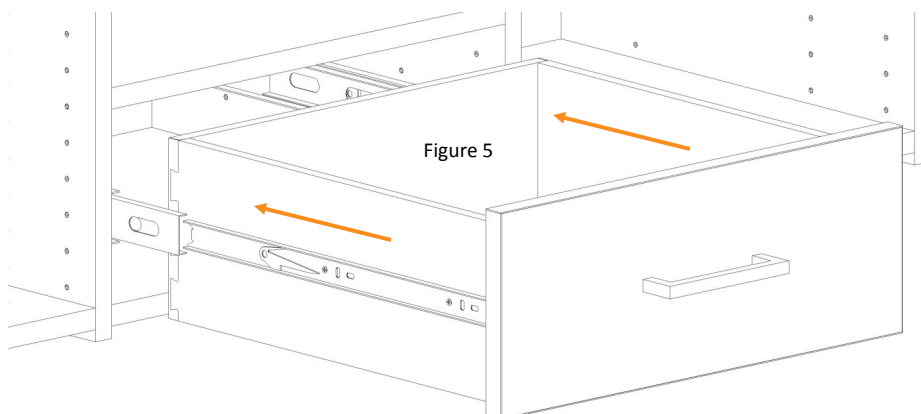


18b. Attach drawer handle as shown in figure 4.



19. INSTALL FINISHED DRAWER INTO PARTITION:

Lining up the drawer slides, slide the finished drawer fully closed to finish installation as shown in figure 5.



BASKETS

20. BASKET ASSEMBLY:

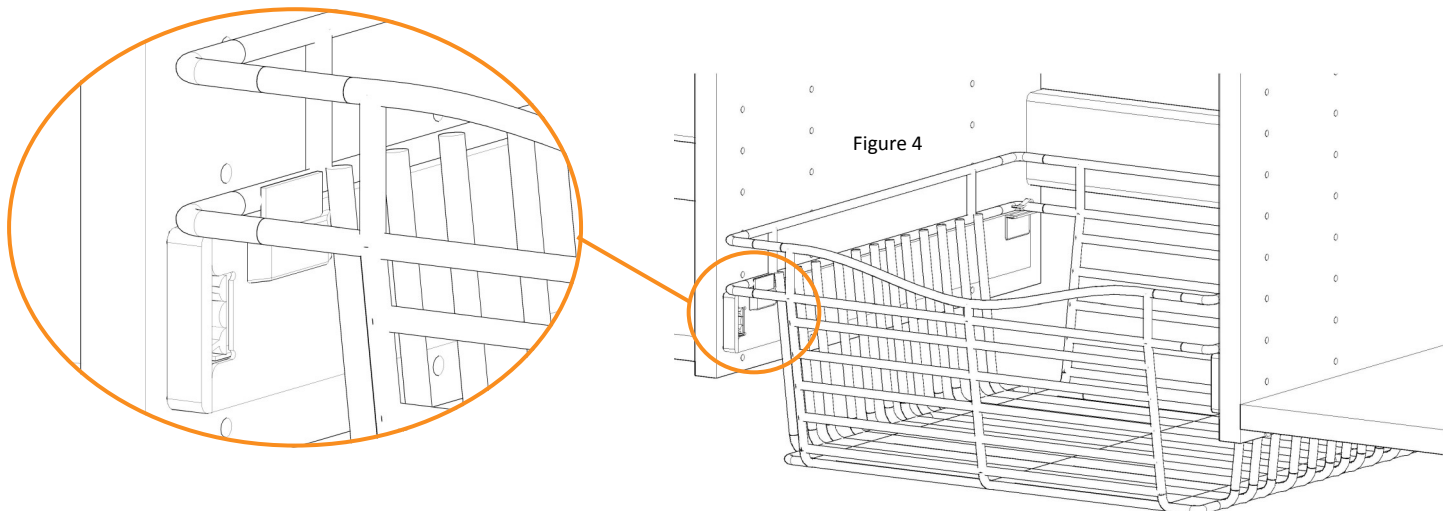
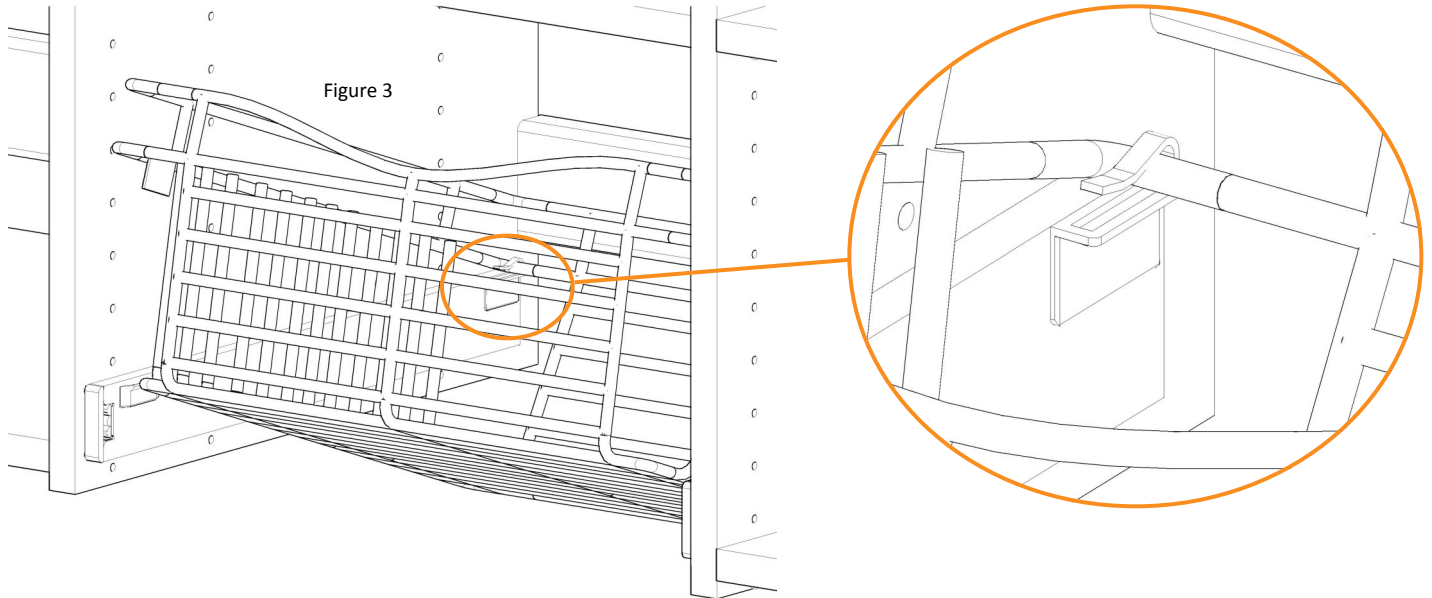
20a. Position ball bearing slide where desired in closet.

20b. Align slide holes with Partition holes as shown in Figure 1 & 2. Using the screws sent with basket attach the slide to the Partition.

20c. Position and install other slide.

20d. Place back wire of basket into hook on left and right slide as shown in Figure 3.

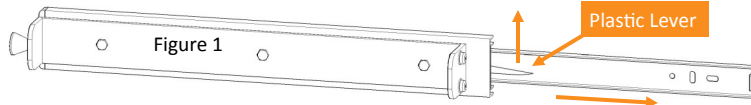
20e. Pivot the basket down so that the tabs on the basket are inserted into the slots in the slides as show in Figure 4.



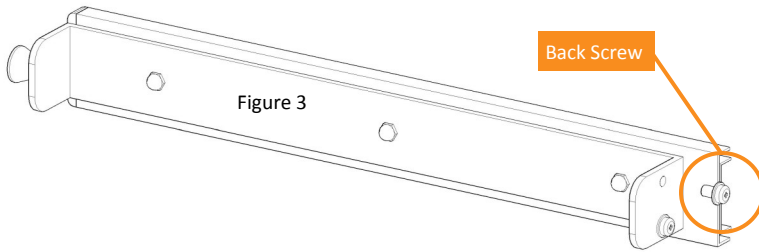
PANT RACK

21. PANT RACK INSTALLATION:

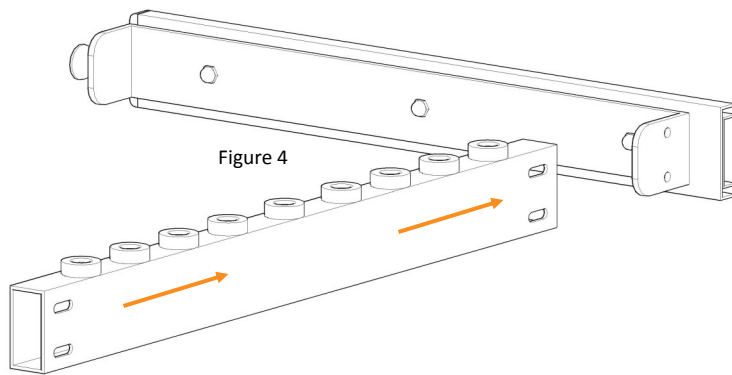
21a. Extend Pant Rack Slide and push plastic lever up while pulling apart as shown in figure 1.



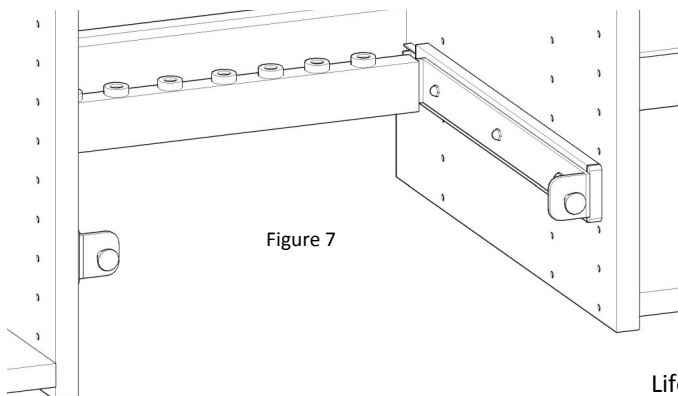
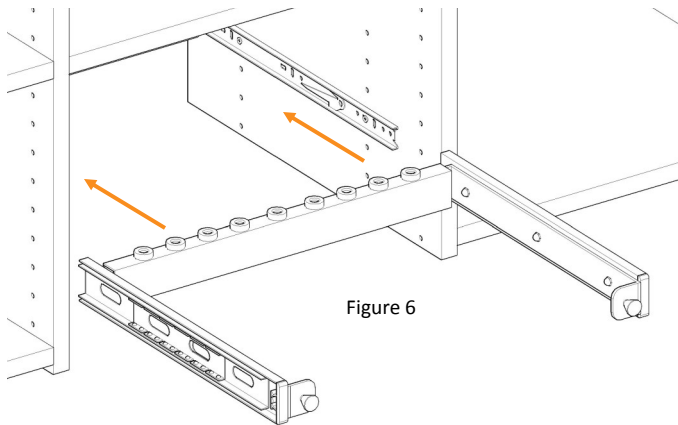
21c. Remove the (2) back screws from slide as shown in figure 3.



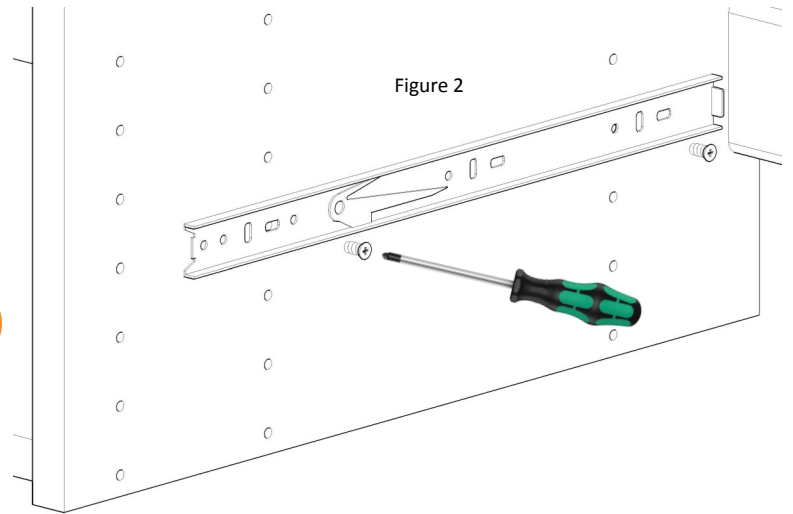
21d. Line up the Pant Rack with Slide as shown in figure 4.



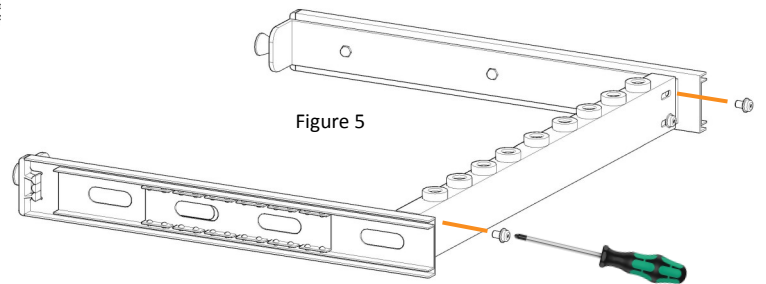
21f. Line up Slides and attach pushing Pant Rack all the way closed as shown in figure 6 & 7.



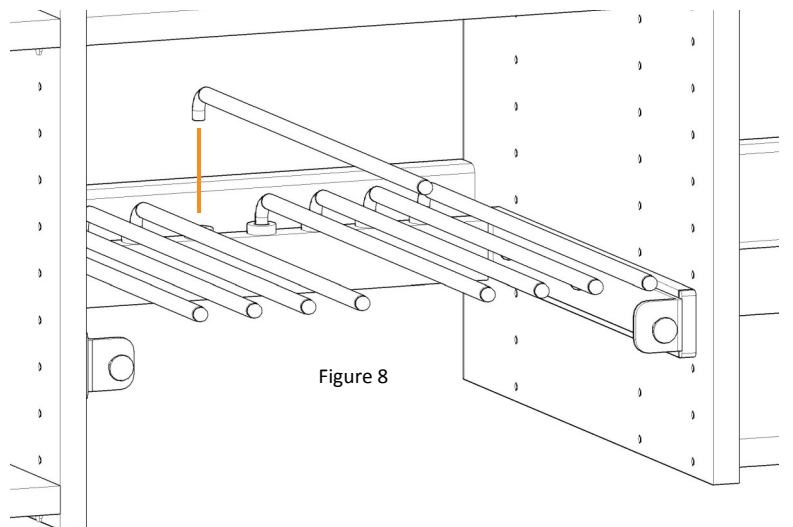
21b. Place the smaller part of slide on desired location on Partition. Lining up holes and using screws sent with, attach slide to Partition as shown in figure 2. Repeat steps 21a & 21b for other slide.



21e. Attach by using back screws and repeat with other slide as shown in figure 5.



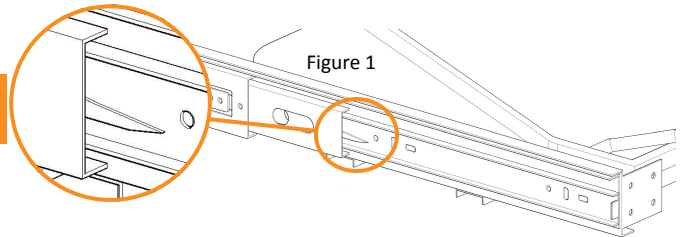
21g. Attach Pant Rack Rods as shown in Figure 8.



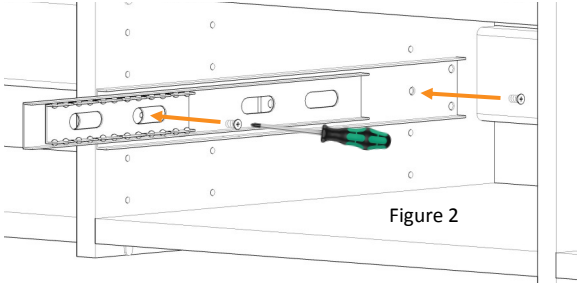
IRONING BOARD

22. IRONING BOARD INSTALLATION:

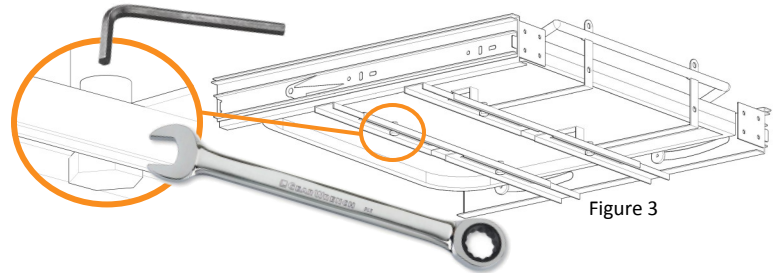
22a. Separate inner slide from outer slide, by extending them fully, depressing the plastic release lever, and pulling apart from the remainder of the slide assembly as shown in figure 1.



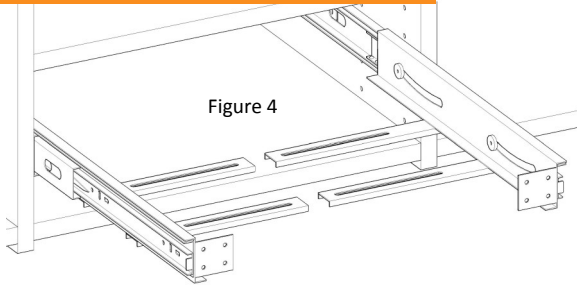
22b. Attach the Ball Bearing part of the slide to the desired location on the partition as your design shows using the screws sent with the Ironing Board as shown in figure 2.



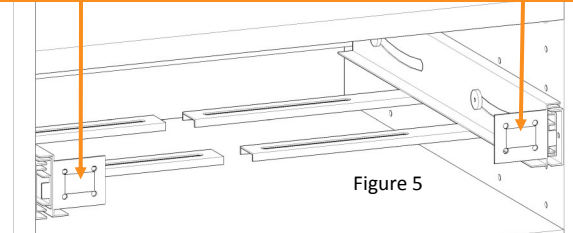
22c. Using the 5mm Allen wrench, and 10mm wrench, remove the board and front support from the friction slide units as shown in figure 3.



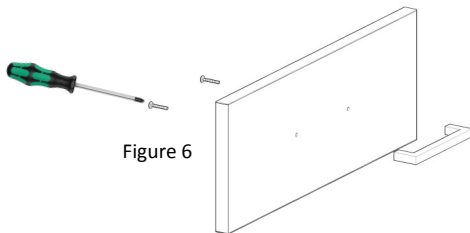
22d. Once the ironing board, and front support is removed. Re-assemble the slides as shown in figure 4.



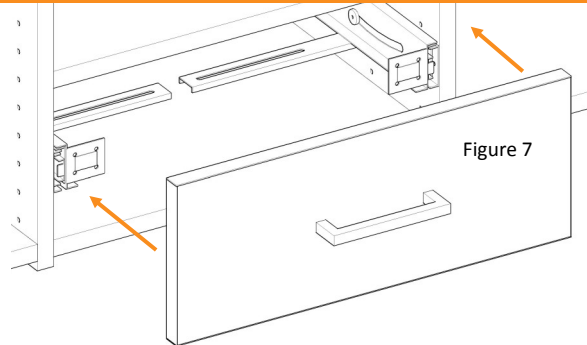
22e. With both slides fully closed and inside the cabinet, apply the double sided tape to the front of the slide flanges as shown in figure 5.



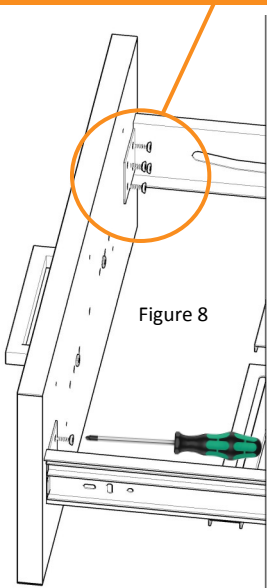
22f. Attach Drawer Handle to Drawer Face using the pre-drilled pilot holes as shown in figure 6.



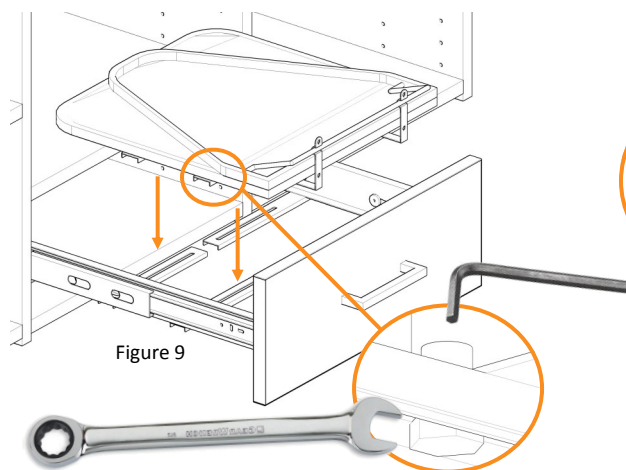
22g. Carefully line up the slide flange holes with the Drawer Face pre-drilled holes and stick it to the front of the slides with the supplied double sided tape as shown in figure 7.



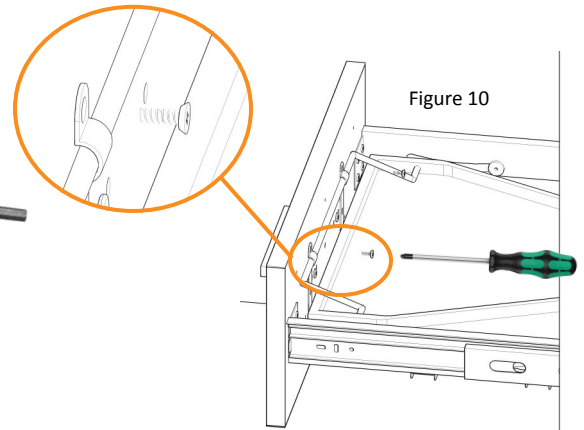
22h. You can now carefully pull on the Drawer Handle to open the Drawer "Slightly" to have access to screw in the Drawer Face. Using (8) provided #8 flathead screws, screw in the face to the slides as shown in figure 8.



22i. With Drawer front attached re-install the board, support brackets, and mechanism into the drawer being sure to have the front wire support held in place on the drawer front by the support brackets as shown in figure 9.



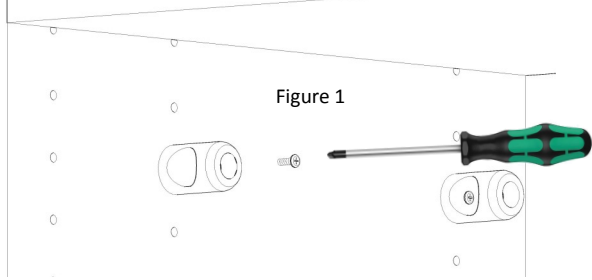
22j. Use (4) #8 flathead screws to attach the support bracket to the drawer front as shown in figure 10.



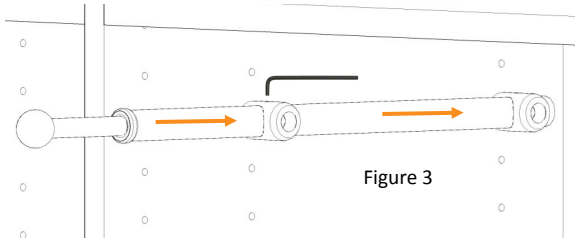
ACCESSORIES

23. CBSR-14, CTR-14, AND CVR-14

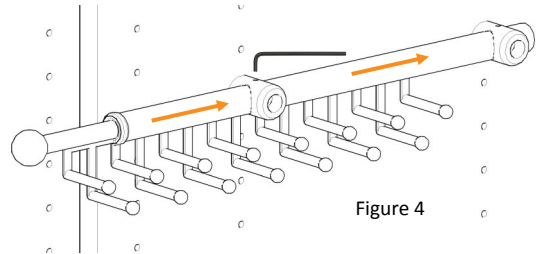
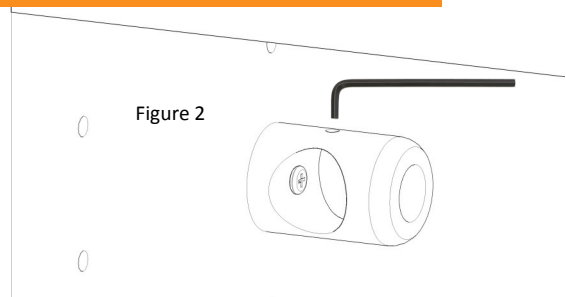
23a. Attach the Mounting Posts to Partition with Screwdriver as shown in figure 1.



23c. Insert the slide assembly to the desired location and tighten the 4mm set screws with supplied hex key as shown in figure 3 & 4.

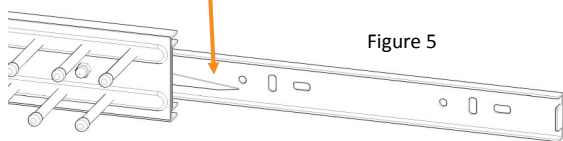


23b. Loosen the 4mm set screws on the Mounting Posts with supplied hex key as shown in figure 2.

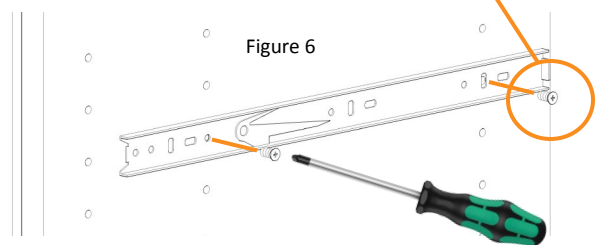


24. TBC-14TCR, TRC-14, AND BRC-14

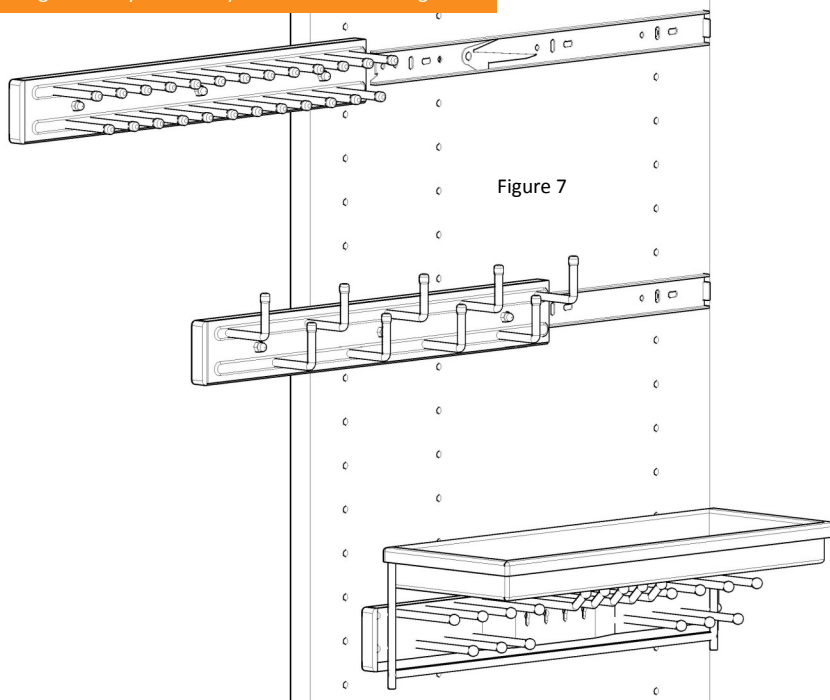
24a. Extend Slide and release Plastic lever to separate slide into two parts as shown in figure 5.



24b. Attach the smaller slide to Partition using screws sent with as shown in figure 6.



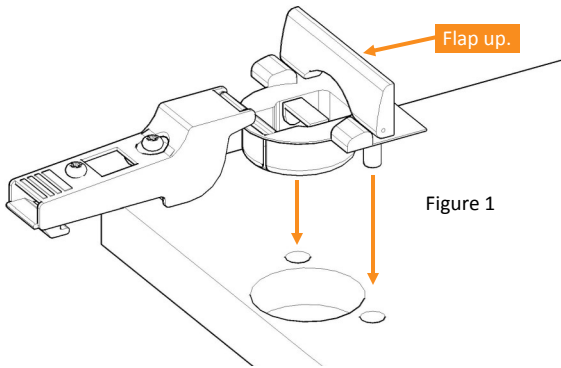
24c. Line up slides and attach pushing accessory all the way closed as shown in figure 7.



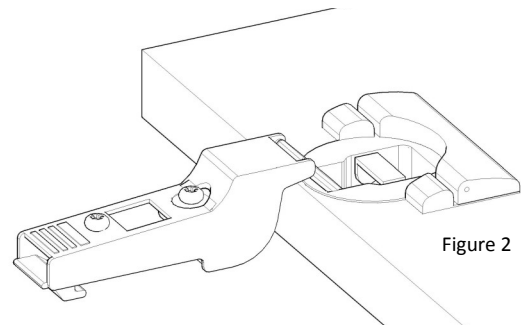
DOORS

25. DOOR ASSEMBLY:

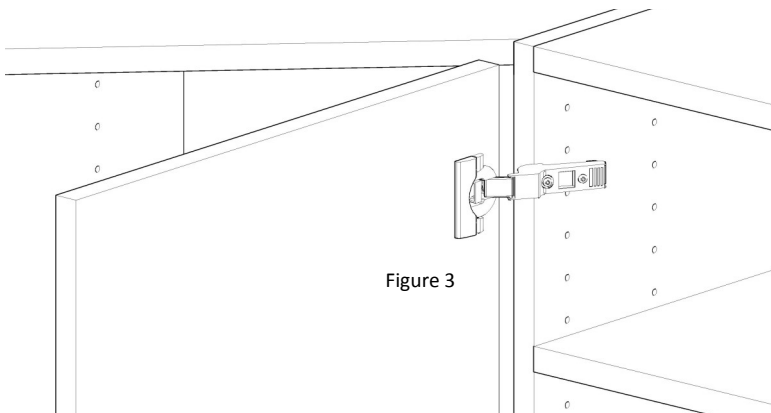
25a. Laying the Door on a flat surface and with the flap up, push the door hinges into the holes as shown in figure 1.



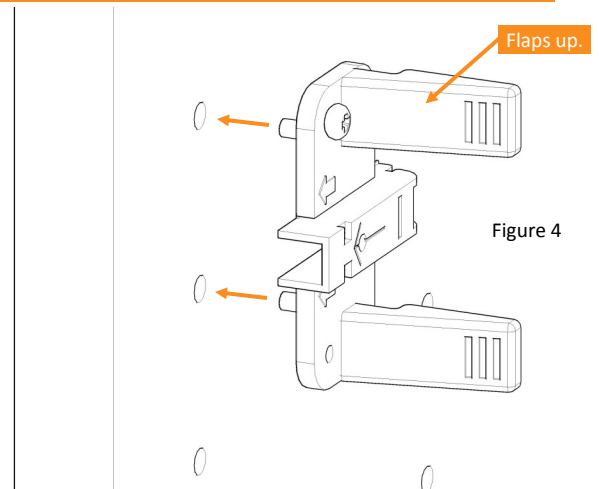
25b. Push Flap down to secure Door Hinges to Door as shown in figure 2.



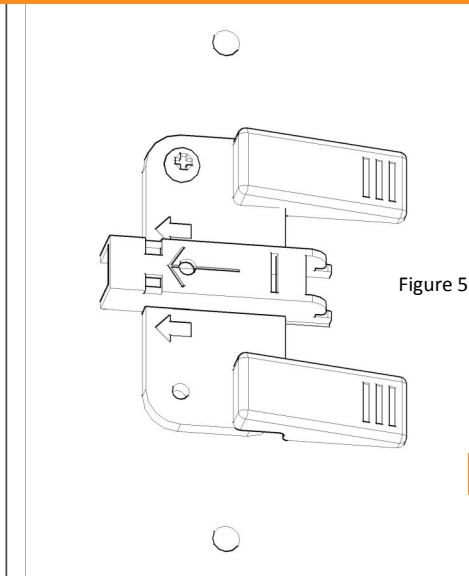
25c. Line up Door with Hinges attached to Partition to locate holes where Inserta Plates will be installed as shown in figure 3.



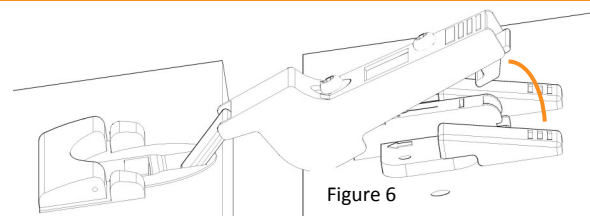
25d. Push Inserta Plate into holes located in step 25c. with flaps up and arrows facing front of unit as shown in figure 4.



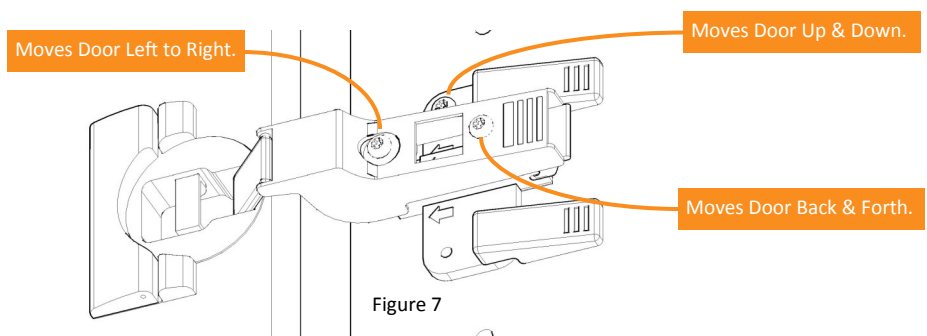
25e. Fold flaps down to secure Inserta Plate to Partition as shown in figure 5. Repeat for other Inserta Plate.



25f. Attach Door by sliding Door Hinges into groove of the Inserta Plate and Push down on Hinge to snap in place as shown in figure 6.



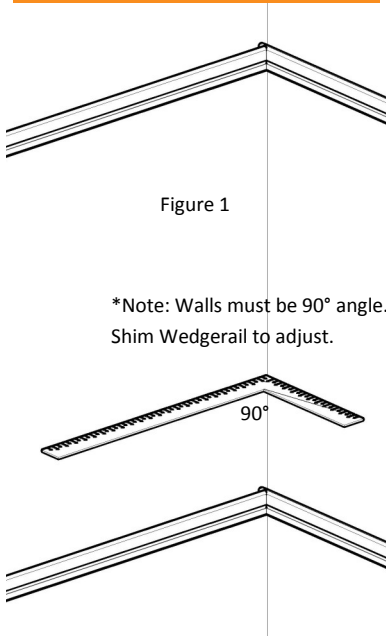
25g. Adjust screws for best fit of Door as shown in figure 7.



CORNER UNITS

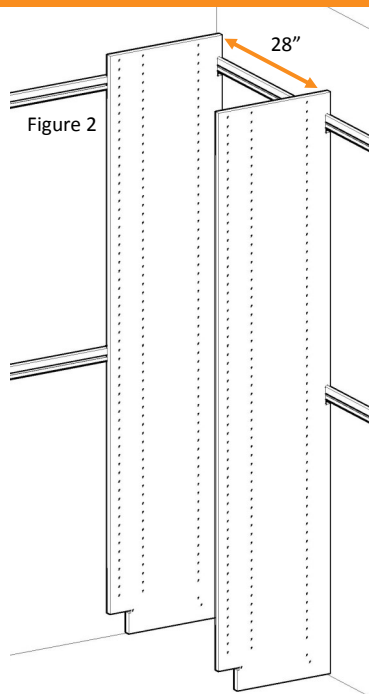
26. INSTALL WEDGERAIL:

Referring to your Design do steps 1-6 on both walls as shown in figure 1.

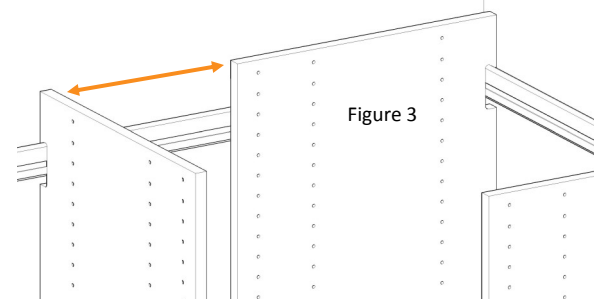


27. INSTALL PARTITIONS:

27a. Install the first 2 Partitions using step 7 as shown in figure 2. Spacing is always 28"

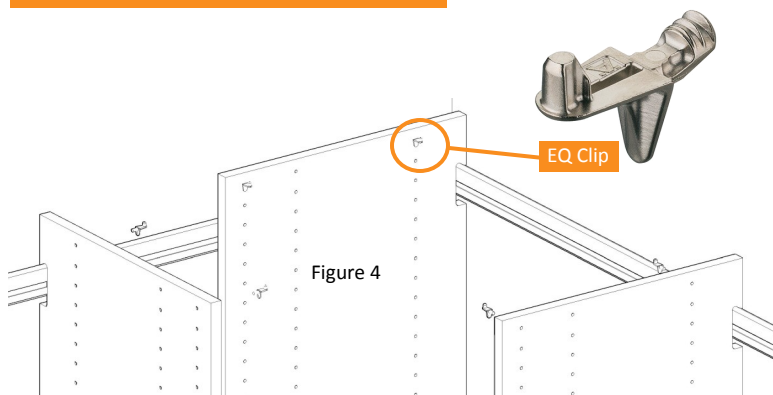


27b. Measure off the end 1st Partition for placement of 3rd partition as shown in figure 3. For 14" deep Partitions - 15-5/8" For 18" deep Partitions - 11-7/8"

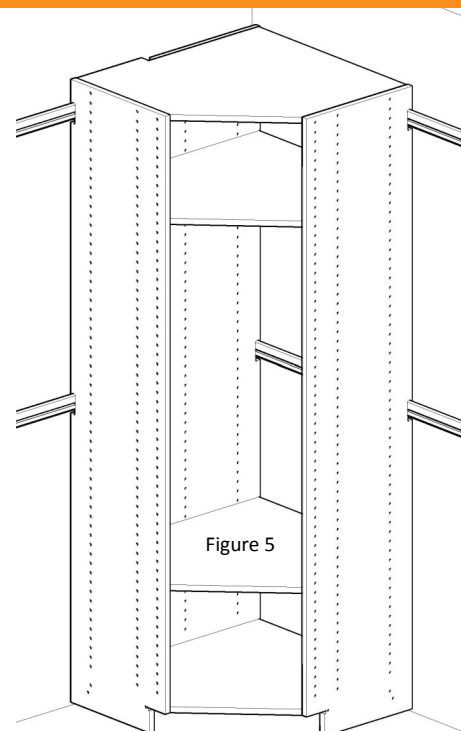


28. INSTALL SHELVES:

28a. Attach (2) EQ Clips per Partition per Shelf as shown in figure 4.



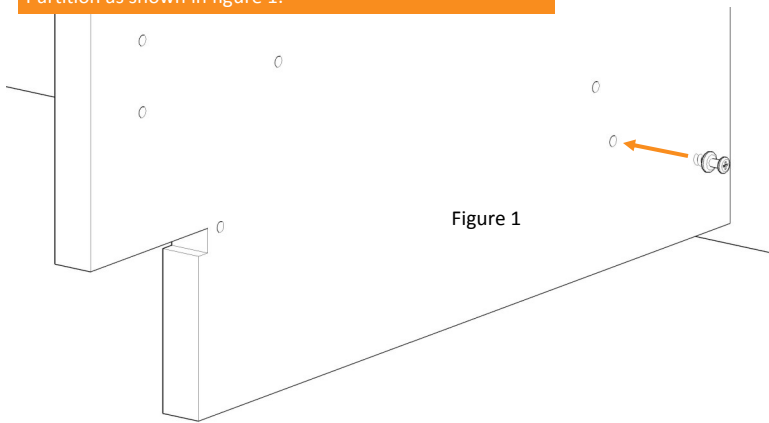
28b. Referring to your Design install all shelves using (6) EQ Clips per shelf as shown in figure 5



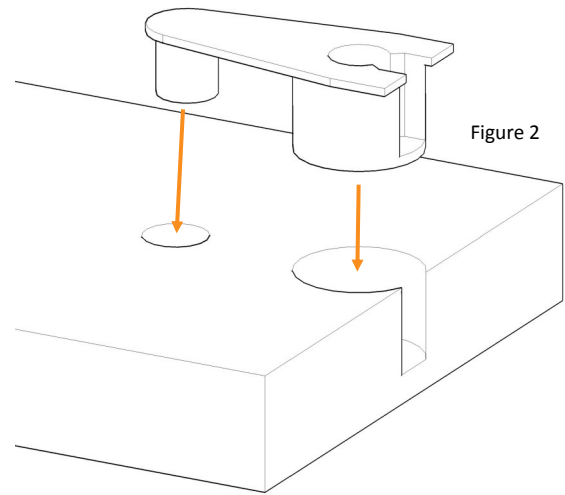
BRACES

29. BRACE INSTALLATION:

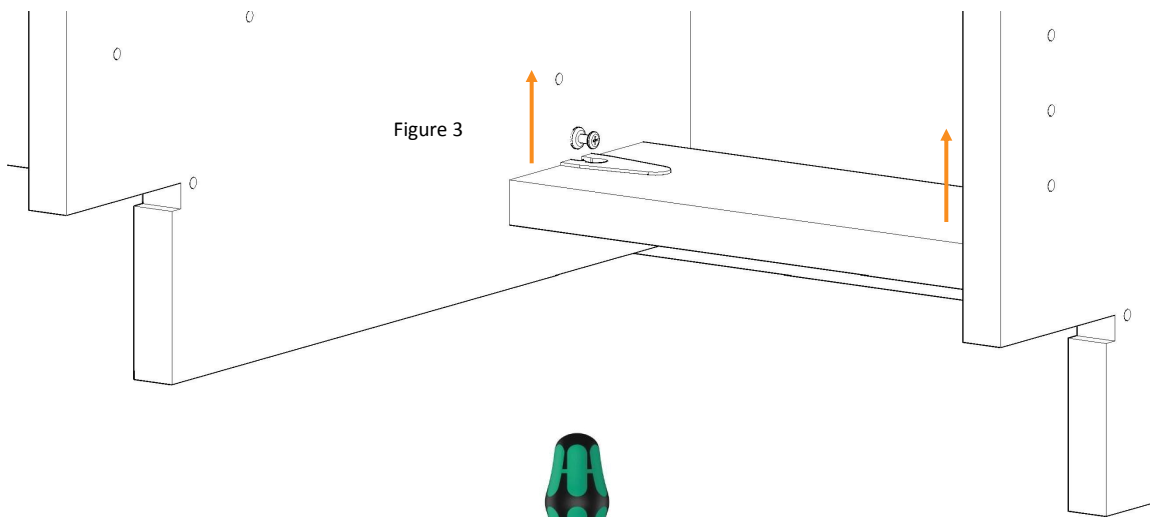
29a. Insert RTA Screw-in Dowel in the lowest hole in each Partition as shown in figure 1.



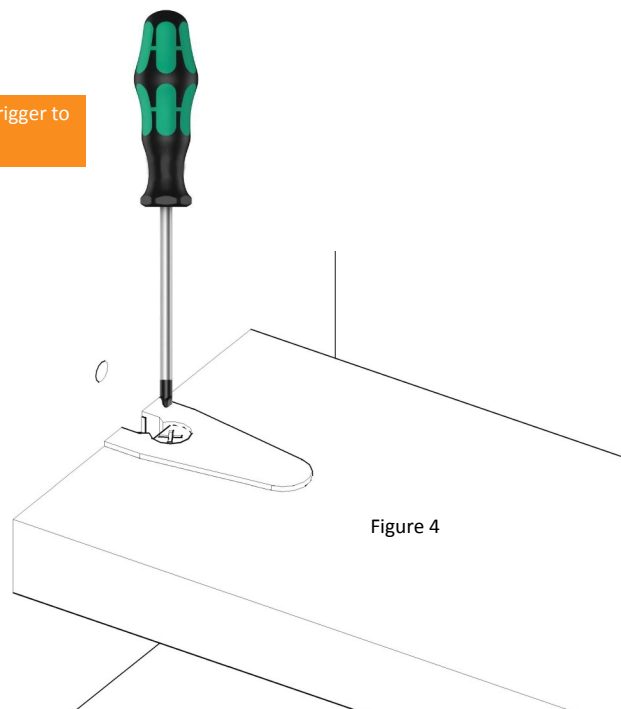
29b. Insert 19mm Outrigger to both ends of Brace as shown in figure 2.



29c. Slide Brace under and then up into RTA Screw Dowel as shown in figure 3.



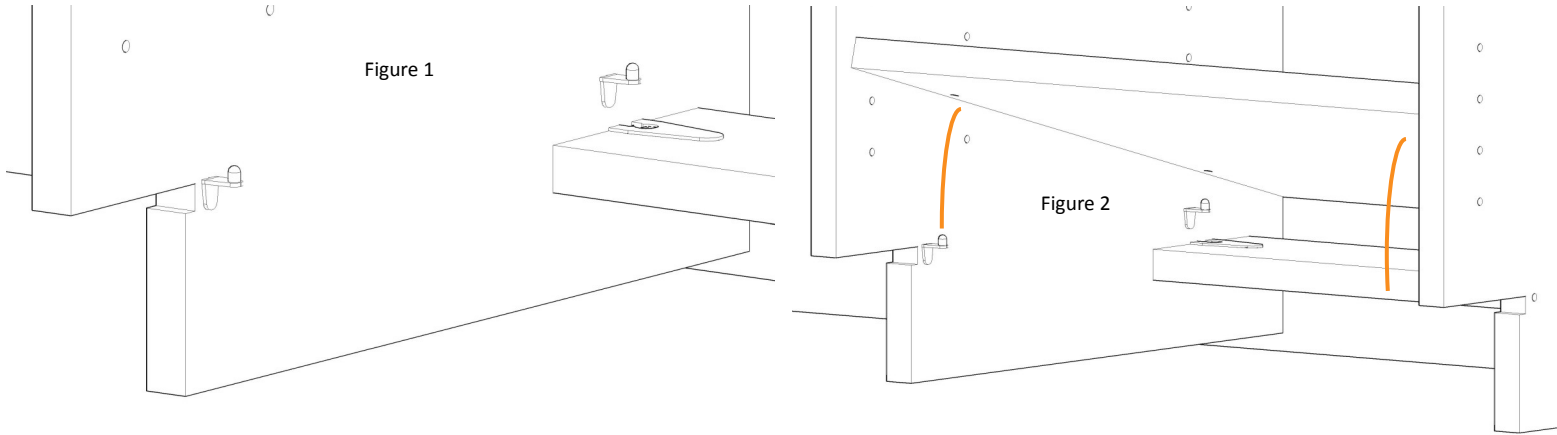
29d. Using a Phillips Screwdriver turn 19mm Outrigger to lock Brace in place as shown in figure 4.



BOTTOM SHELVES & PARTITION FEET

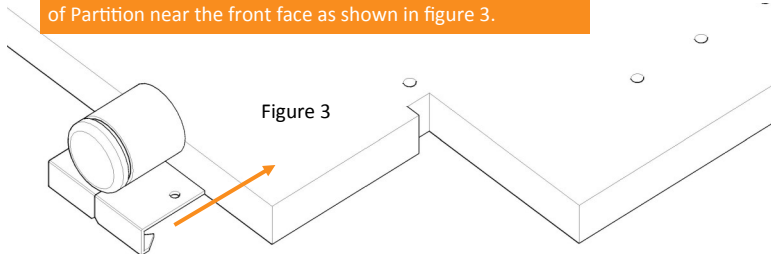
30. BOTTOM SHELF INSTALLATION:

Bottom shelves will have a different hole pattern than standard shelves. Use (4) EQ Clips in the Bottom hole location as shown in figure 1. Install shelf over EQ Clips as shown in figure 2.



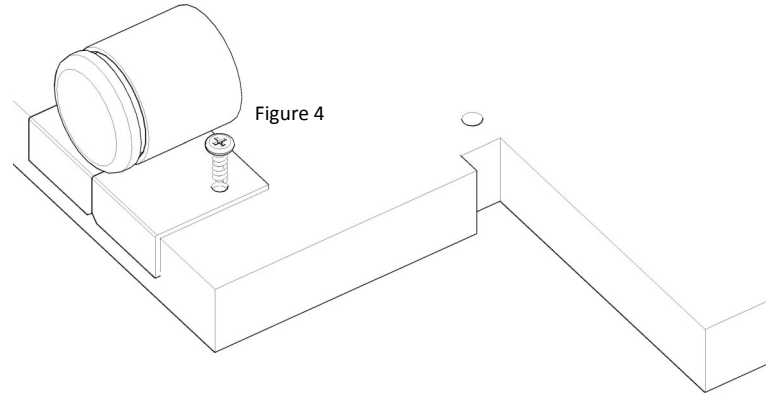
31. PARTITION FEET INSTALLATION:

31a. With a Hammer attach Partition foot on the inside edge of Partition near the front face as shown in figure 3.

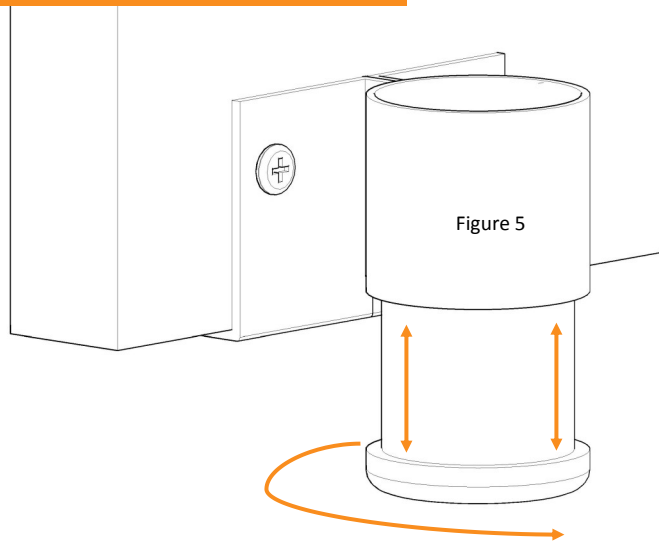


Note: Always attach foot to inside of partition.

31c. Use screws sent with to secure to partition as shown in figure 4.



31d. Follow step 7 for installing Partition and then adjust Partition foot by turning round plastic at base of the foot to level Partition as shown in figure 5.

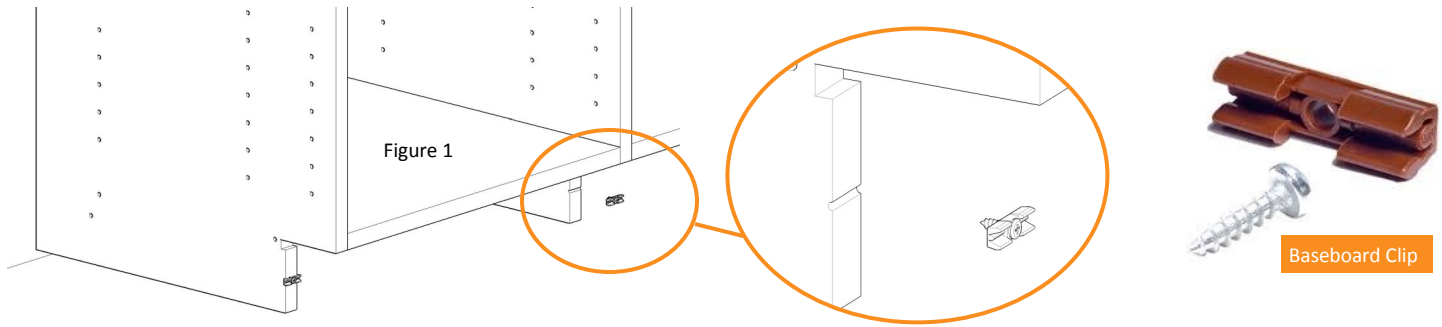


Note: Partition Feet only come with 24" deep Partitions.

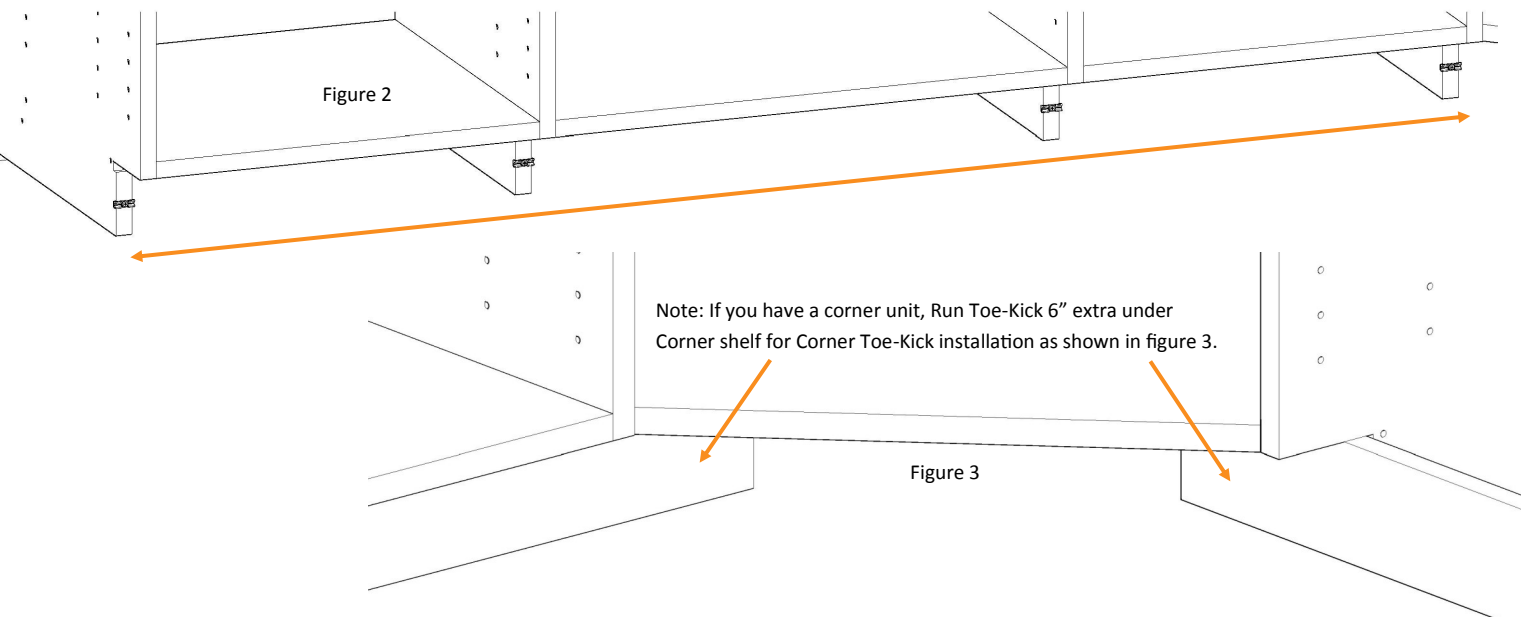
TOE-KICK

32. TOE –KICK INSTALLATION:

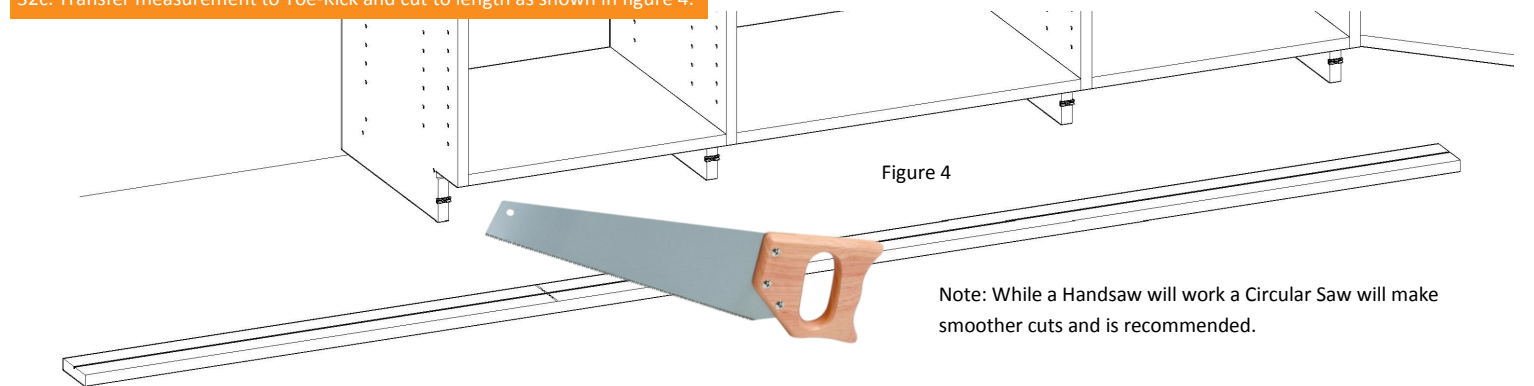
32a. Attach the Baseboard Clip in groove of each Partition as shown in figure 1.



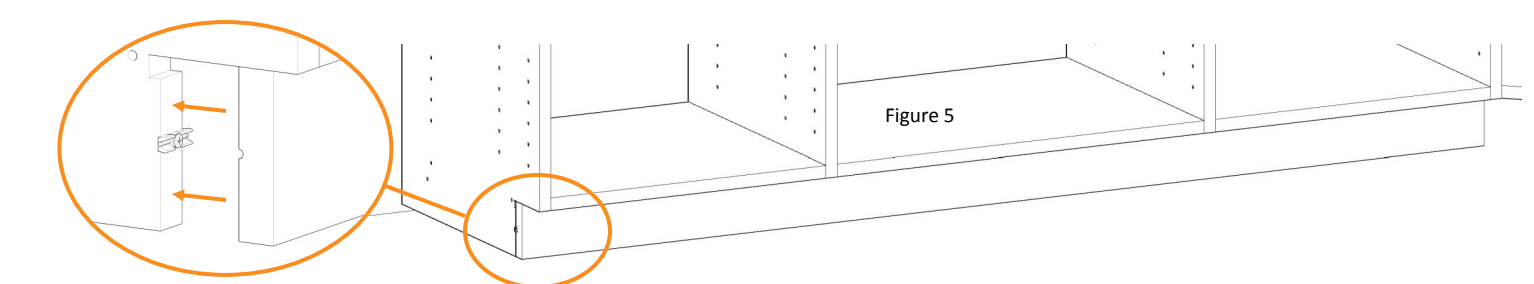
32b. Measure total distance from end of Partition to End of Partition for Toe-Kick as shown in figure 2.



32c. Transfer measurement to Toe-Kick and cut to length as shown in figure 4.



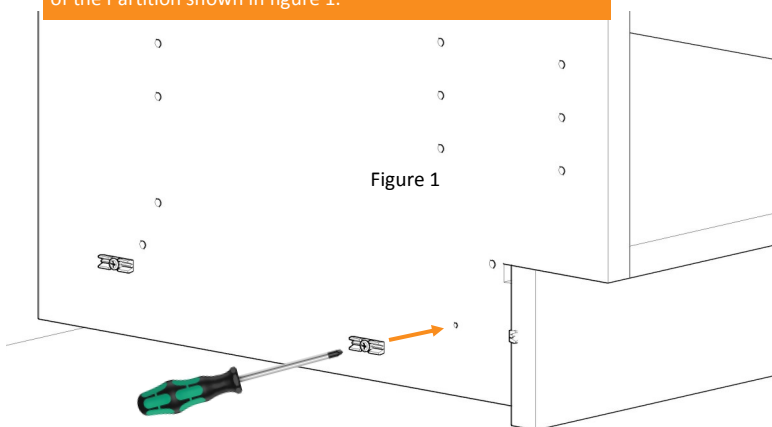
32d. Using Grooves on Toe-Kick snap into place over Baseboard Clip adjusting to be flush with end of Partition as shown in figure 5.



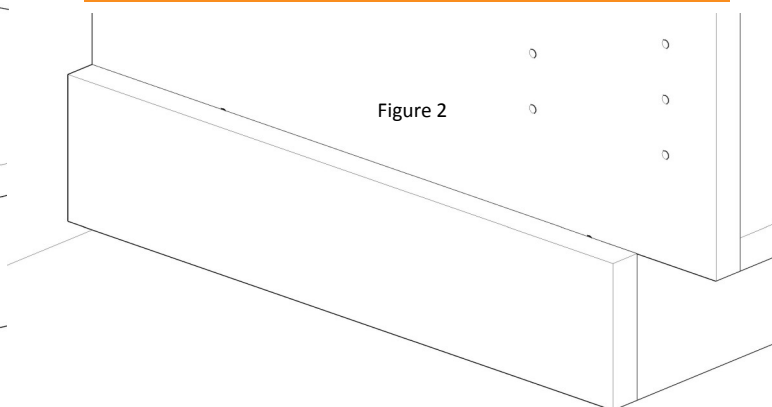
TOE-KICKS

33. TOE –KICK SIDE INSTALLATION:

33a. Attach the Baseboard Clip to pre-drilled holes on the side of the Partition shown in figure 1.

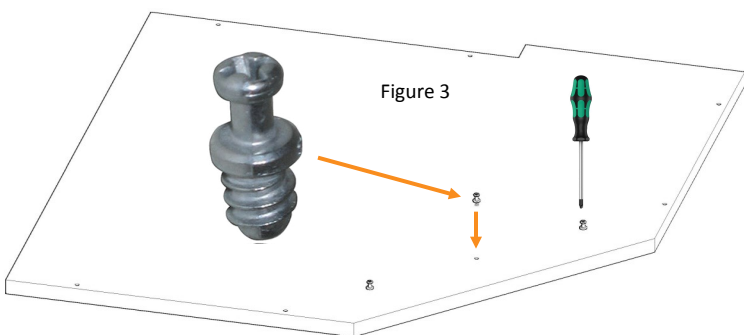


33b. Side Toe-Kicks come cut to length and ready to install. Using Grooves on Side Toe-Kick snap into place over Baseboard Clip adjusting to be flush with end of front Toe-Kick as shown in figure 2.

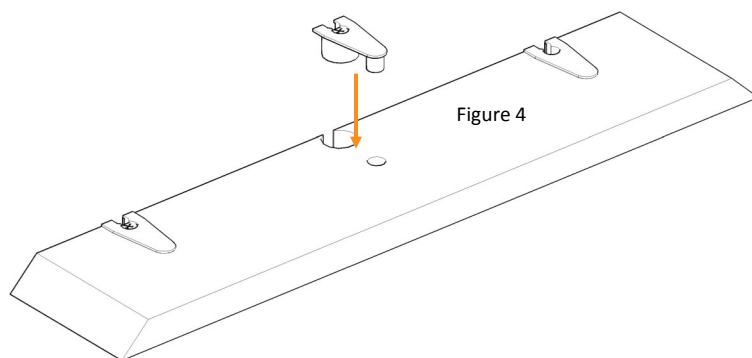


34. TOE –KICK CORNER INSTALLATION:

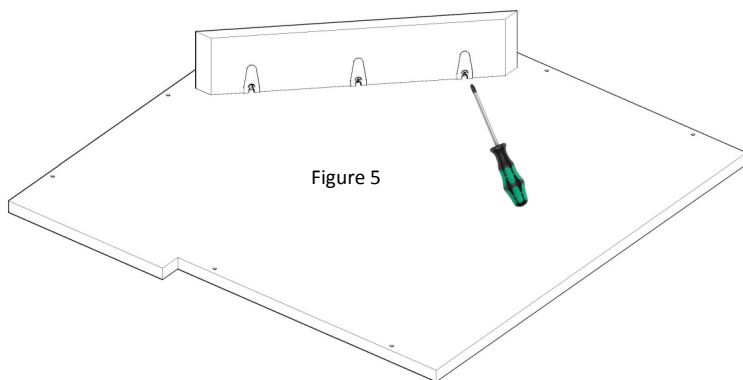
34a. Place corner shelf on a flat surface, Screw in the (3)RTA Dowels into the bottom front holes as shown in figure 3.



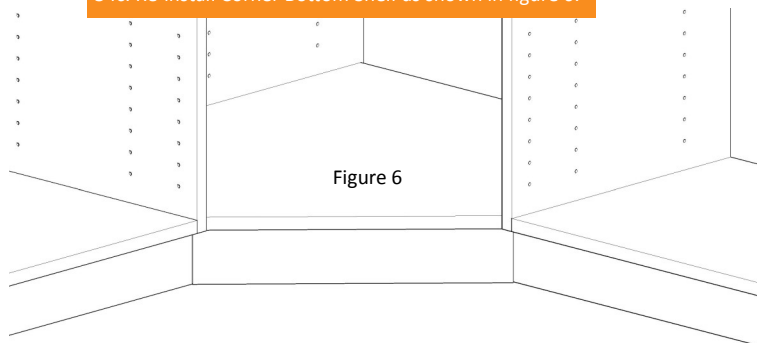
34b. Attach the (3)19mm Outriggers to the pre-cut Corner Toe-Kick as shown in figure 4.



34c. Attach the Corner Toe-Kick to Dowels with Outriggers facing in as shown in figure 5. Turn screw in Outrigger to secure.



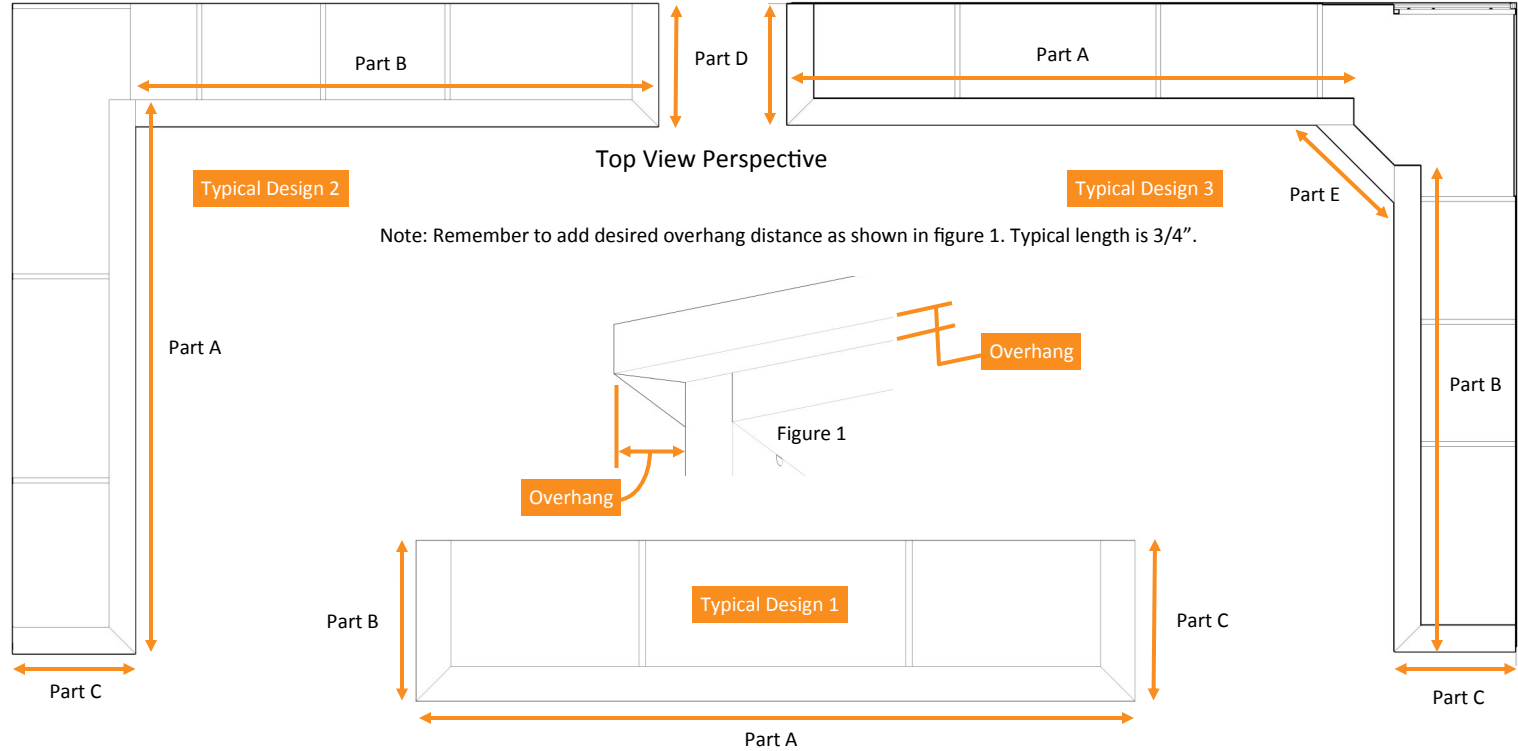
34c. Re-install Corner Bottom Shelf as shown in figure 6.



TOP MOLDING

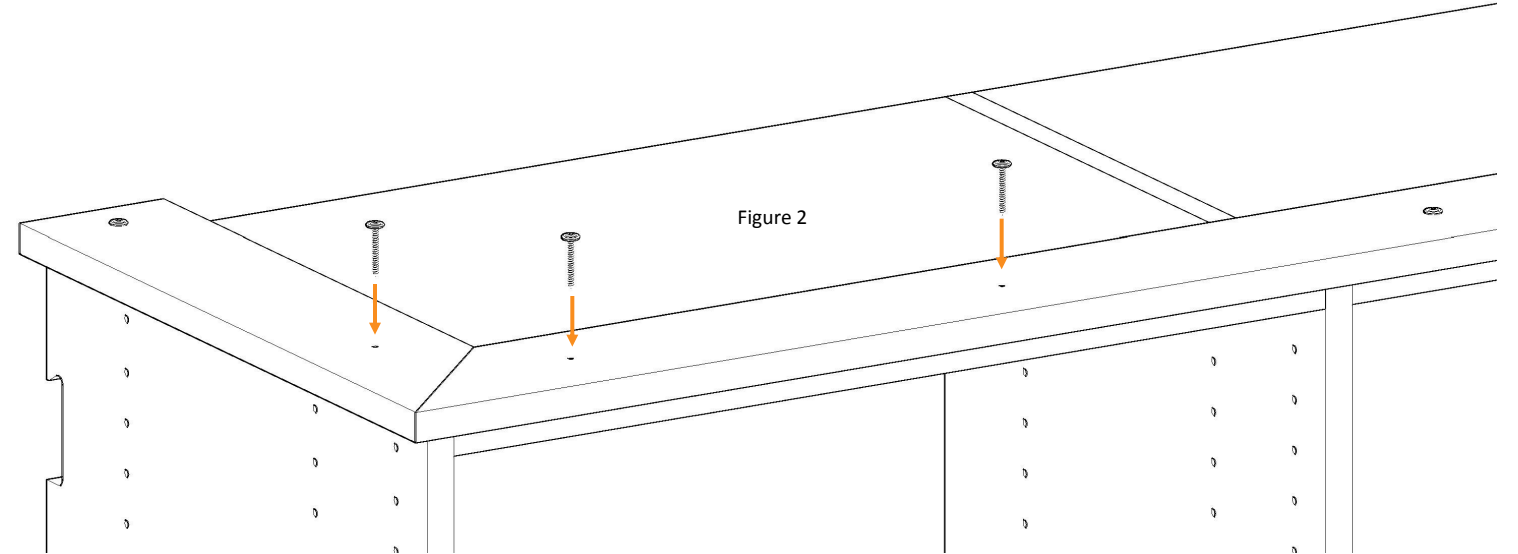
35. TOP MOLDING INSTALLATION:

35a. Refer to your Design and measure desired length of each Top Molding as shown in the 3 typical designs.



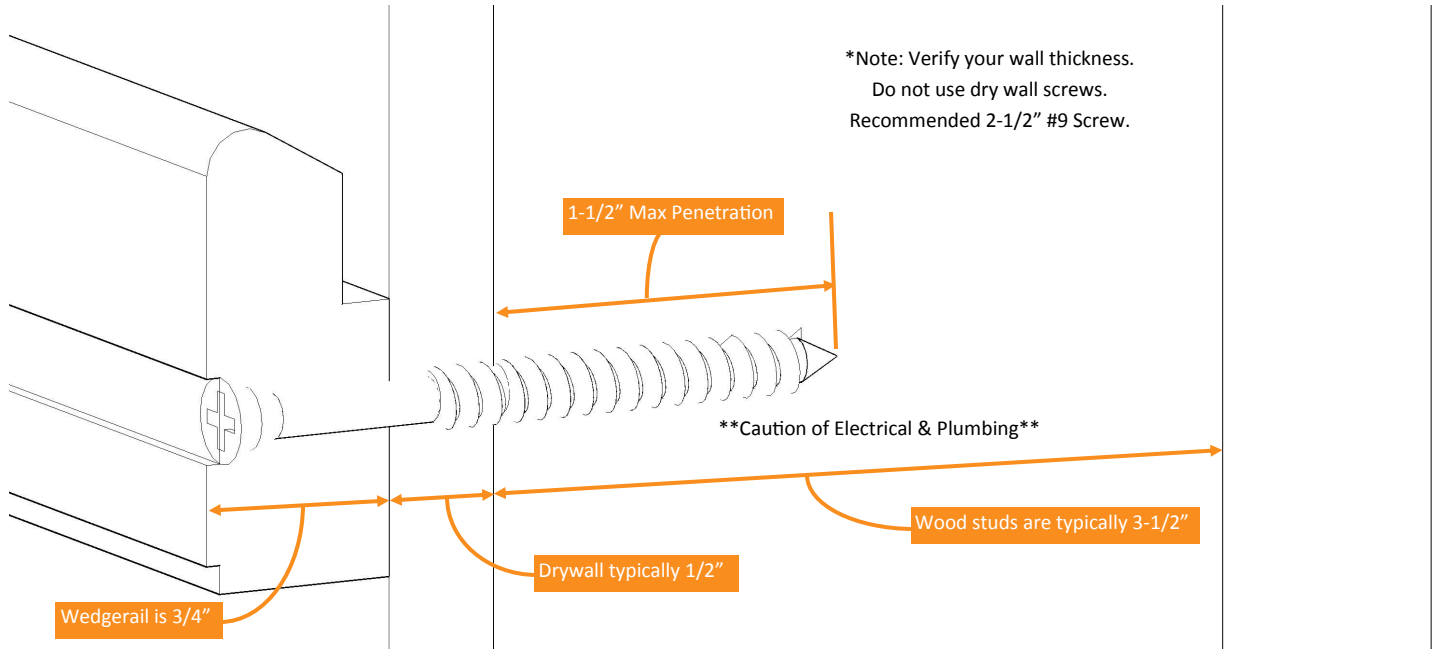
35b. Top molding comes in 8', and 4' sizes and is edgebanded on one side. Cut each Part with Hand saw or recommended Circular Saw.

35c. Attach Top Molding with 1-1/4" screw every 12" using the pre-drilled holes as shown in figure 2.



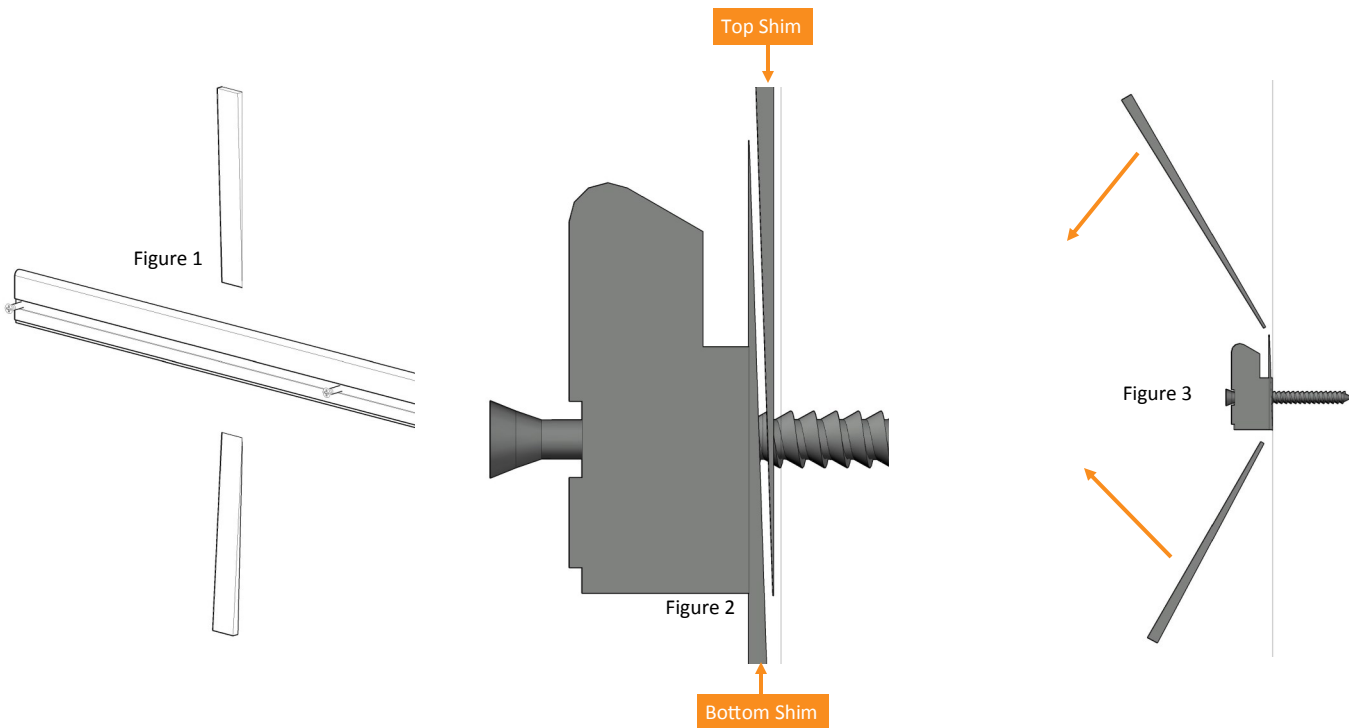
TROUBLE SHOOTING

PICKING THE RIGHT SCREW FOR YOUR WEDGERAIL:



HOW TO SHIM YOUR WEDGERAIL:

A. Using a straight edge like a Partition or long Level tool, run it along the wall until you see a gap between straight edge and wall. Loosen the screws in wedge rail around that location and insert two shims as shown in figure 1. Position Shims on top of each other behind wedge rail so wedge rail is lifted equally from top to bottom as shown in figure 2. Hammer shims in equally until face of wedge rail is level and then snap shims off and re-screw wedge rail in as shown in figure 3.



WARRANTY

Limited Lifetime Warranty

Our limited warranty covers defect in materials provided that the Lifespan Closet issued for normal, everyday use. We are committed to bringing you products of the highest quality and value. Even though a Lifespan Closet is of superior quality, this limited warranty applies only if the Lifespan Closet has been properly installed, used, and maintained. The terms and conditions of our limited warranty are set forth below.

Your Warranty.

Your Lifespan Closets™ product is warranted to be free from defects in manufacturing, materials, and workmanship. If any such defect appears during the term of this warranty, Lifespan Closets™ will, at its option (1) repair the defective product, (2) replace the defective materials, or (3) refund your purchase price. If the replacement option is elected, Lifespan Closets™ will not be responsible for the installation or refinishing of replacement parts.

Conditions and Exclusions.

Lifespan Closets™ builds its Lifespan Closets™ to be durable and long-lasting. There are certain conditions or applications, however, over which Lifespan Closets™ has no control. Defects or problems as a result of such conditions or applications are not the responsibility of Lifespan Closets™. They include:

- Improper installation, field finishing, or maintenance.
- Normal wear of component parts or the discoloration of finishes.
- Any misuse, modification, or alteration.
- Variations in the color and grain of natural wood part.

YOUR EXCLUSIVE REMEDY WITH RESPECT TO ANY AND ALL LOSSES OR DAMAGES RESULTING FROM ANY CAUSE WHATSOEVER SHALL BE AS SPECIFIED ABOVE.

WE SHALL IN NO EVENT BE LIABLE FOR ANY CONSEQUENTIAL OR INCIDENTAL DAMAGES OF ANY KIND, HOWEVER OCCASIONED, WHETHER BY NEGLIGENCE OR OTHERWISE. SOME STATES DO NOT ALLOW THE EXCLUSION OR LIMITATION OF INCIDENTAL OR CONSEQUENTIAL DAMAGES, SO THIS LIMITATION OR EXCLUSION MAY NOT APPLY TO YOU. THIS LIMITED WARRANTY GIVES YOU SPECIFIC LEGAL RIGHTS AND YOU MAY ALSO HAVE OTHER RIGHTS WHICH MAY VARY FROM STATE TO STATE. THERE ARE NO WARRANTIES WHICH EXTEND BEYOND THE DESCRIPTION CONTAINED HEREIN.

THE FOREGOING LIMITED WARRANTY IS IN LIEU OF ALL OTHER WARRANTIES, EXPRESS OR IMPLIED, AND NO PERSON (INCLUDING ANY EMPLOYEE, AGENT, DEALER, OR REPRESENTATIVE) IS AUTHORIZED TO MAKE ANY REPRESENTATION OR WARRANTY CONCERNING THIS PRODUCT, EXCEPT TO REFER PURCHASERS TO THIS WARRANTY. THIS WARRANTY IS NOT A WARRANTY OF FUTURE PERFORMANCE BUT ONLY A WARRANTY TO REPAIR, REPLACE, OR REFUND.

If you have a warranty claim:

If you have a warranty claim with your Lifespan Closet, call the dealer or distributor from whom the Lifespan Closets™ was purchased.

If you do not know the name of the dealer or distributor, or if you have not received a response from the dealer or distributor within ten (10) business days, please submit a written complaint to:

Lifespan Closets™ | 215 S. 37th Ave W | Duluth, MN 55807

215 South 37th Avenue West
Duluth, MN 55807
1-866-961-0004
www.lifespanclosets.com

